



## DATA SHEET

### Thunderbolt™ 3 USB-C® 11-in-1 8K UHD Docking Station with DisplayPort™, Ethernet, USB, SD Card Reader, 3.5mm Audio and Power Delivery up to 85W - 8K 30Hz (TAA Compliant)

Connect a Thunderbolt 3 laptop to two 4K video displays, a wired network, and transfer data, while keeping the laptop charged

#### OVERVIEW

The Thunderbolt 3 USB-C 11-in-1 8K UHD Docking Station with DisplayPort, Ethernet, USB, SD Card Reader, 3.5mm Audio, and Power Delivery connects to Thunderbolt 3 enabled laptops and features 180W of power, making it ideal for commercial workstation laptops that need more video outputs, more connected peripherals, and the ability to transfer data while staying charged.

This Thunderbolt 3 USB-C 8K UHD Docking Station offers 180W to support connected devices, such as keyboards, mice, portable hard drives, and other peripherals, all while supporting up to 85W of power delivery to charge and power a commercial workstation laptop when using the USB-C power adapter that is included with the laptop. The maximum power capacity depends on how much power the connected adapter can supply. The right amount of power is necessary to keep the laptop battery charged, for all connected devices to function, and for the dock to provide that connectivity. This docking station includes a 180W power supply.

Supporting two displays with resolutions up to 4K (3840 x 2160) at 60Hz for high definition images and video makes this docking station a perfect desktop solution, whether you are in the office or working from home. Professional users can also connect to a single DisplayPort display through the DisplayPort port and support resolutions up to 8K (7680 x 4320) at 30Hz. The USB-A ports support SuperSpeed USB 5Gbps data transfers — allowing up to 32GB of data to be downloaded in under a minute. The Thunderbolt 3 ports support data transfers up to 40Gbps — 8x faster than SuperSpeed USB 5Gbps. The Ethernet port allows for reliable internet connectivity with file transfer speeds up to 1000Mbps. Access multimedia content quickly with the SD 4.0 card reader that supports SD, SDHC, and SDXC up to 128GB. Optimize performance by connecting displays designed for 4K 60Hz signals, USB devices designed for 5Gbps transfer speeds, and Thunderbolt 3 enabled devices.

#### FEATURES

- 180W USB-C power supply to support connected displays and devices
- Supports up to 85W of power delivery to keep your laptop charged
- Supports single screen DisplayPort resolutions up to 8K, for professionals viewing high-resolution content
- Supports dual screen resolutions up to 4K, for improved multitasking and productivity
- USB-A ports for fast data transferring
- BC 1.2 USB-A port for enhanced mobile charging
- Thunderbolt 3 ports supporting 40Gbps data transmissions or 85W power delivery
- Hard wired Ethernet port for when security requires it or when WiFi[™] is not available
- SD Card Reader to transfer pictures, video, or other multimedia
- Reversible, symmetrical USB-C connector, so no guessing how to plug it into your laptop
- Compatible with Windows and Mac operating systems
- 5 year warranty, for peace of mind - with the highest quality docking stations

#### ITEM DESCRIPTION

C2G80926 Thunderbolt 3 USB-C 11-in-1 8K UHD Docking Station with DisplayPort, Ethernet, USB, SD Card Reader, 3.5mm Audio and Power Delivery up to 85W - 8K 30Hz (TAA Compliant)

## ELECTRICAL SPECIFICATIONS

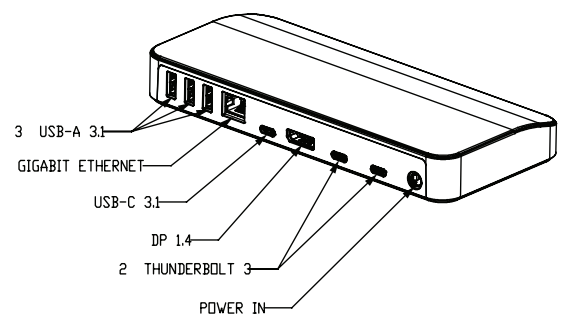
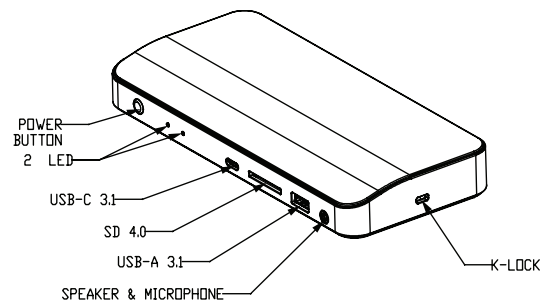
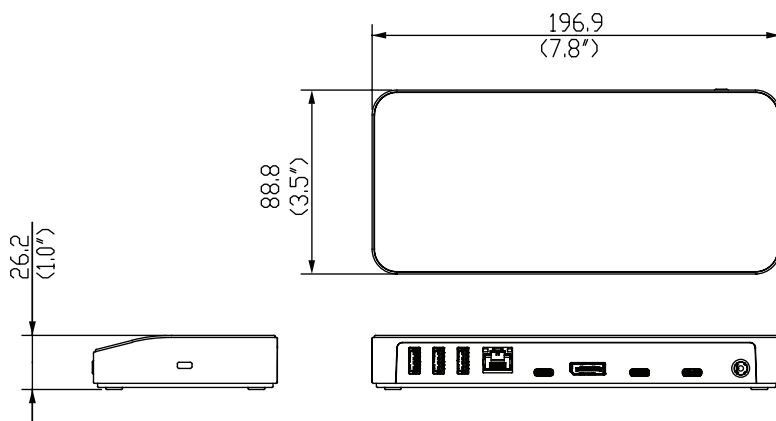
- Power Adapter: Electrical: Input: 100-240VAC, 50-60Hz, 1.8A; Output: 20DC, 9A
- Power Consumption: 180W
- USB-C Power Delivery: 85W

## PHYSICAL SPECIFICATIONS

- Operating Temperature: 0°C to +35°C; 0 to 90% RH (Non-Condensing)
- Storage Temperature: -20°C to +70°C; 0 to 90% RH (Non-Condensing)

## PHYSICAL CHARACTERISTICS

- Connector: Ethernet: RJ45 LED(G/Y); Nickel Plated Black Rubber U"
- Connector: USB-A: USB 3.0 AF 90° CH: 7.25 Blue Rubber Gold Flash 15U"
- Connector: USB-C: USB Type C (Female) Black Rubber Nickel Plated Gold Flash SMT PCB 90°
- Connector: USB-C: USB Type C 24 Pin (Female) Black Rubber Nickel Plated SMT Pin Gold Flash 15u"
- Connector: USB-C: USB Type C Female Black Rubber Nickel Plated 30u" Gold CH: 1.6mm (for Thunderbolt) SMT
- Connector: DP: 20P Conn Pin G/F Rubber Nickel Plated SMT
- Cable: E361365-A6-UL; Color: Black
- Power Adapter: Dimensions: 6.6 x 3.23 x 0.99 Inches HxWxD; Cable Length: 47.24 Inches; Pin Diameter: 5.5 x 2.5 x 10mm
- Material: Housing: Aluminum; Plastic (PC+ABS)
- Color: Housing Pantone Black C, Housing Logo Colors: Plastic Housing Logo Color: Pantone 877C
- Product is CE Marked and Conforms to 2011/65/EU ROHS 2



# C2G

c2g.com/uk | legrandav.com

EMEA P +31 495 580 840 E c2g.emea@av.legrand.com

©2021 Legrand AV Inc. 200820 Rev B 3/21 C2G is a registered trademark of Legrand AV Inc. All other brand names or marks are used for identification purposes and are trademarks of their respective owners. All patents are protected under existing designations. Other patents pending.

A brand of **legrand**

COMMERCIAL AV BRANDS

C2G | Chief | Da-Lite | Luxul | Middle Atlantic | Vaddio | Wiremold