



Cisco Video Surveillance 8620/8630 IP Camera Reference Guide

Release 1.0.2

April 20, 2018

Americas Headquarters

Cisco Systems, Inc.
170 West Tasman Drive
San Jose, CA 95134-1706
USA
<http://www.cisco.com>
Tel: 408 526-4000
800 553-NETS (6387)
Fax: 408 527-0883

NOTICE. ALL STATEMENTS, INFORMATION, AND RECOMMENDATIONS IN THIS MANUAL ARE BELIEVED TO BE ACCURATE BUT ARE PRESENTED WITHOUT WARRANTY OF ANY KIND, EXPRESS OR IMPLIED. USERS MUST TAKE FULL RESPONSIBILITY FOR THEIR APPLICATION OF ANY PRODUCTS.

THE SOFTWARE LICENSE AND LIMITED WARRANTY FOR THE ACCOMPANYING PRODUCT ARE SET FORTH IN THE INFORMATION PACKET THAT SHIPPED WITH THE PRODUCT AND ARE INCORPORATED HEREIN BY THIS REFERENCE. IF YOU ARE UNABLE TO LOCATE THE SOFTWARE LICENSE OR LIMITED WARRANTY, CONTACT YOUR CISCO REPRESENTATIVE FOR A COPY.

The Cisco implementation of TCP header compression is an adaptation of a program developed by the University of California, Berkeley (UCB) as part of UCB's public domain version of the UNIX operating system. All rights reserved. Copyright © 1981, Regents of the University of California.

NOTWITHSTANDING ANY OTHER WARRANTY HEREIN, ALL DOCUMENT FILES AND SOFTWARE OF THESE SUPPLIERS ARE PROVIDED "AS IS" WITH ALL FAULTS. CISCO AND THE ABOVE-NAMED SUPPLIERS DISCLAIM ALL WARRANTIES, EXPRESSED OR IMPLIED, INCLUDING, WITHOUT LIMITATION, THOSE OF MERCHANTABILITY, FITNESS FOR A PARTICULAR PURPOSE AND NON-INFRINGEMENT OR ARISING FROM A COURSE OF DEALING, USAGE, OR TRADE PRACTICE.

IN NO EVENT SHALL CISCO OR ITS SUPPLIERS BE LIABLE FOR ANY INDIRECT, SPECIAL, CONSEQUENTIAL, OR INCIDENTAL DAMAGES, INCLUDING, WITHOUT LIMITATION, LOST PROFITS OR LOSS OR DAMAGE TO DATA ARISING OUT OF THE USE OR INABILITY TO USE THIS MANUAL, EVEN IF CISCO OR ITS SUPPLIERS HAVE BEEN ADVISED OF THE POSSIBILITY OF SUCH DAMAGES.

Cisco and the Cisco logo are trademarks or registered trademarks of Cisco and/or its affiliates in the U.S. and other countries. To view a list of Cisco trademarks, go to this URL: www.cisco.com/go/trademarks. Third-party trademarks mentioned are the property of their respective owners. The use of the word partner does not imply a partnership relationship between Cisco and any other company. (1110R)

Copyright © 2018 Cisco Systems, Inc. All rights reserved.



Preface v

Overview v

Organization v

Obtaining Documentation and Support v

CHAPTER 1

Getting Started 1-1

Overview 1-1

Physical Description 1-2

Hardware Installation 1-4

 Cisco Video Surveillance 8620 IP Camera Hardware Installation 1-4

 Cisco Video Surveillance 8630 IP Camera Hardware Installation 1-8

DI/DO Diagram 1-17

LED Definitions 1-19

Hardware Reset 1-19

MicroSD/SDHC/SDXC Card Capacity 1-19

Network Deployment 1-19

 General Connection (PoE) 1-20

 Network Connection 1-21

CHAPTER 2

Accessing the IP Camera 2-1

Using Web Browsers 2-1

Performing the Initial Setup of the IP Camera 2-2

Using RTSP Players 2-3

Using 3GPP-Compatible Mobile Devices 2-3

CHAPTER 3

IP Camera Main Page 3-1

 Live Video Window for H.264 or H.265 Video Streams 3-3

 Live Video Window for MJPEG Video Streams 3-5

CHAPTER 4

Client Settings 4-1

H.265/H.264 Media Options 4-1

H.265/H.264 Protocol Options 4-1

Two Way Audio 4-2

MP4 Saving Options 4-2
 Local Streaming Buffer Time 4-2
 Joystick settings 4-2

CHAPTER 5

Configuration 5-1
 Accessing the Settings Pages 5-2
 System > General settings 5-3
 System > Homepage layout 5-3
 General settings 5-3
 Theme Options 5-4
 System > Logs 5-5
 Log server settings 5-5
 System log 5-5
 Access log 5-6
 System > Parameters 5-6
 System > Maintenance 5-6
 General settings > Upgrade firmware 5-6
 General settings > Reboot 5-7
 General settings > Restore 5-7
 Import/Export files 5-7
 Media > Image 5-8
 General settings 5-8
 IR Control 5-9
 Image settings 5-11
 Exposure 5-12
 Focus 5-13
 Privacy Mask 5-14
 Media > Video 5-15
 Stream settings 5-15
 Media > Audio 5-21
 Network > General settings 5-21
 Network Type Tab 5-22
 Network > Streaming protocols 5-24
 HTTP streaming 5-24
 RTSP Streaming 5-25
 SIP 5-26
 Network > QoS (Quality of Service) 5-26
 Requirements for QoS 5-27

QoS models	5-27
Network > SNMP (Simple Network Management Protocol)	5-28
SNMP Configuration	5-28
Security > User accounts	5-28
Account Management	5-28
Privilege Management	5-29
Security > HTTPS (Hypertext Transfer Protocol over SSL)	5-29
Create and Install Certificate Method	5-29
Security > Access List	5-30
General Settings	5-31
Filter	5-31
Administrator IP address	5-32
Security > IEEE 802.1X	5-32
Security > SSH	5-33
PTZ > PTZ settings	5-33
Digital PTZ Operation	5-33
Home Location Settings	5-34
Preset and Patrol Settings	5-34
Misc Settings	5-34
Event > Event settings	5-34
Event	5-35
Add server	5-36
Additional Actions	5-37
Add media	5-38
Customized Script	5-40
Applications > Motion detection	5-40
How does Motion Detection Work?	5-41
Applications > DI and DO	5-41
Applications > Tampering detection	5-41
Applications > Audio detection	5-42
Applications > PIR	5-44
Applications > Package management	5-44
Recording > Recording settings	5-45
Recording Settings	5-45
Local storage > SD card management	5-47
SD card status	5-47
SD card format	5-47
SD card control	5-47

- Local storage > Content management 5-48
 - Searching and Viewing Records 5-48
 - Search Results 5-48



Preface

Overview

This document provides information about installing, deploying, and using the Cisco Video Surveillance 8620 IP Camera and the 8630 IP Camera.

Organization

This manual is organized as follows:

Chapter 1, “Getting Started”	Provides information about getting started with and understanding the IP Camera
Chapter 2, “Accessing the IP Camera”	Explains how to access the IP camera through web browsers and RTSP players
Chapter 3, “IP Camera Main Page”	Describes the layout of the main page of the IP camera web based interface
Chapter 4, “Client Settings”	explains how to select the stream transmission mode and saving options on the local computer
Chapter 5, “Configuration”	Describes the IP camera settings options

Obtaining Documentation and Support

For information about obtaining documentation, submitting a service request, and gathering additional information, see the monthly *What’s New in Cisco Product Documentation*. This document also lists new and revised Cisco technical documentation. It is available at:

<http://www.cisco.com/en/US/docs/general/whatsnew/whatsnew.html>

Subscribe to the *What’s New in Cisco Product Documentation* as a Really Simple Syndication (RSS) feed and set content to be delivered directly to your desktop using a reader application. The RSS feeds are a free service and Cisco currently supports RSS version 2.0.



Getting Started

This chapter provides information about getting started with and understanding the IP camera. It includes the following sections:

- [Overview, page 1-1](#)
- [Physical Description, page 1-2](#)
- [Hardware Installation, page 1-4](#)
- [DI/DO Diagram, page 1-17](#)
- [LED Definitions, page 1-19](#)
- [Hardware Reset, page 1-19](#)
- [MicroSD/SDHC/SDXC Card Capacity, page 1-19](#)
- [Network Deployment, page 1-19](#)

Overview

The Cisco Video Surveillance 8620 (indoor) and 8630 (indoor/outdoor) IP Cameras are high-definition, full-functioned video endpoints with industry-leading image quality and processing power. The cameras are capable of 1920 x 1080 resolution while optimizing network usage with H.264, H.265, or MJPEG compression. Contact closures allow integration with access control systems. With its open, standards-based design, the camera provides an ideal platform for integration and operation as an independent device or as part of a Cisco Video Surveillance network.

Key features and benefits of the Cisco Video Surveillance cameras include:

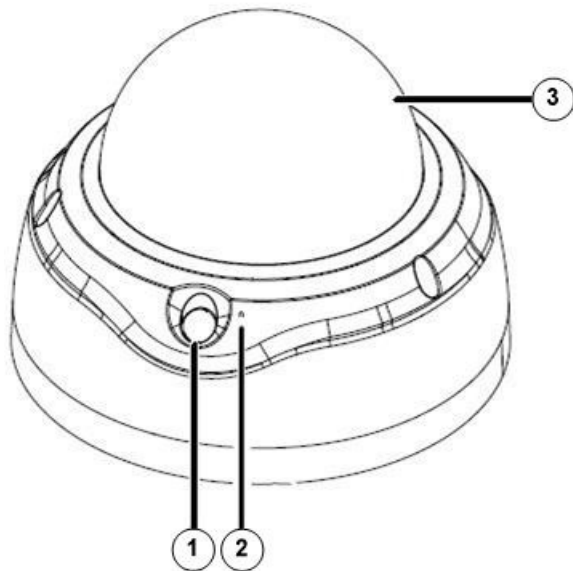
- **True high-definition video**—The camera streams crisp and clear video at resolutions up to 1920 x 1080 while maintaining low network bandwidth
- **Streaming**—The camera can stream H.264, H.265, and MJPEG video simultaneously. Each video stream can be configured with individual resolution, quality, and frame-rate settings.
- **Day/night operation**—The camera provides true day-night functionality and includes an infrared filter, which automatically switches to night mode in low-light scenes and can be set to manual, automatic, or scheduled control.
- **Flexible power option**—The cameras support The cameras supports Power over Ethernet (PoE) 802.3af Class 0 for 8020 models, Power over Ethernet (PoE) 802.3at (Class 4) for 8030 models, and, 12 VDC and 24 VAC for both models
- **Mounting options**—The cameras can be installed to a ceiling or wall.

Physical Description

The following figures illustrate the cameras:

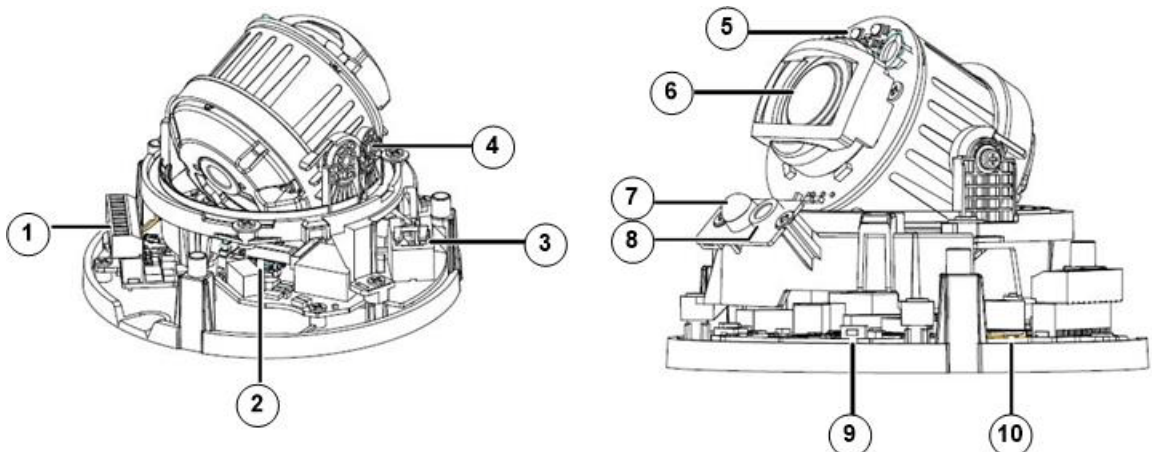
- [Figure 1-1](#)—Cisco Video Surveillance 8620 IP Camera outer view
- [Figure 1-2](#)—Cisco Video Surveillance 8620 IP Camera inner view
- [Figure 1-3](#)—Cisco Video Surveillance 8630 IP Camera outer view
- [Figure 1-4](#)—Cisco Video Surveillance 8630 IP Camera inner view

Figure 1-1 Cisco Video Surveillance 8620 IP Camera Outer View



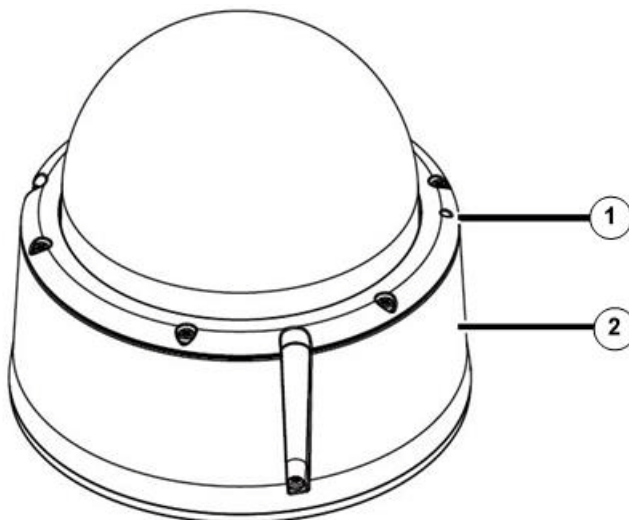
1	PIR sensor
2	Microphone
3	Dome cover

Figure 1-2 Cisco Video Surveillance 8620 IP Camera Inner View



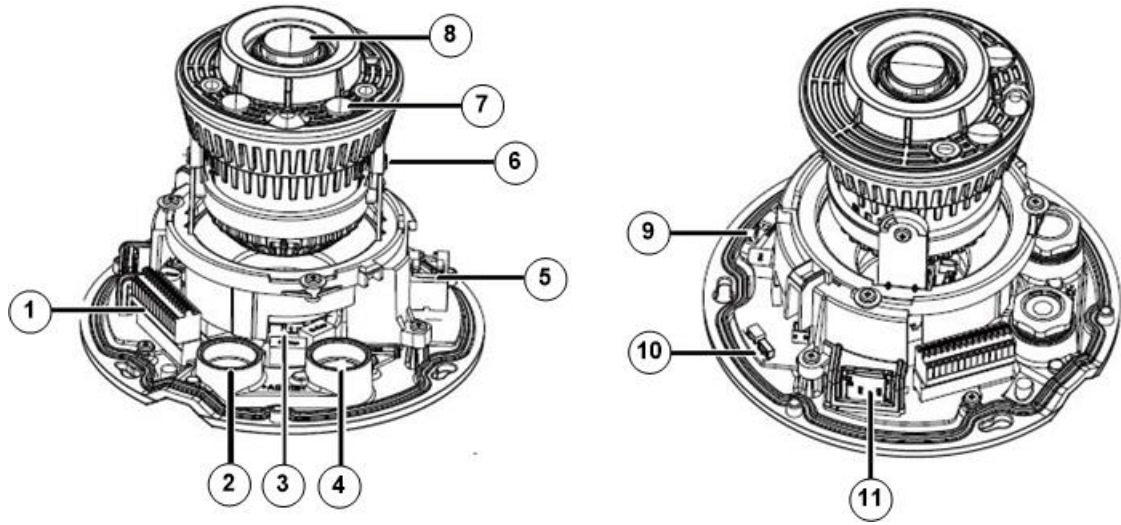
1	Terminal block
2	LEDs
3	RJ45 Ethernet socket
4	Tilt retention screw
5	IR LEDs
6	LENS
7	PIR sensor
8	Microphone
9	Reset button
10	MicroSD card slot

Figure 1-3 Cisco Video Surveillance 8630 IP Camera Outer View



1	Microphone
2	Dome cover

Figure 1-4 Cisco Video Surveillance 8030 IP Camera Inner View



1	Terminal block
2	Waterproof connector for Ethernet
3	Status LEDs
4	Waterproof connector for DI/DO
5	RJ45 Ethernet socket
6	Tilt retention screw
7	IR LEDs
8	Lens
9	Microphone connects
10	Reset button
11	MicroSD card slot

Hardware Installation

The following sections describe how to install your camera:

- [Cisco Video Surveillance 8620 IP Camera Hardware Installation, page 1-4](#)
- [Cisco Video Surveillance 8630 IP Camera Hardware Installation, page 1-8](#)

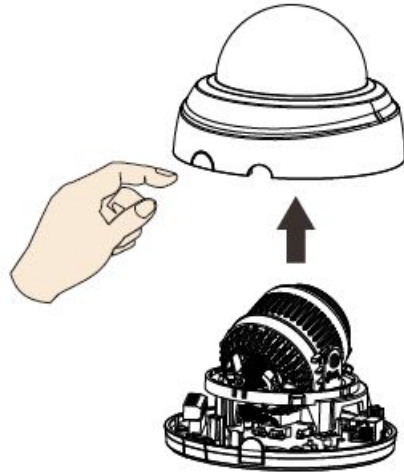
Cisco Video Surveillance 8620 IP Camera Hardware Installation

To perform the hardware installation of the Cisco Video Surveillance 8620 IP Camera, follow these steps:

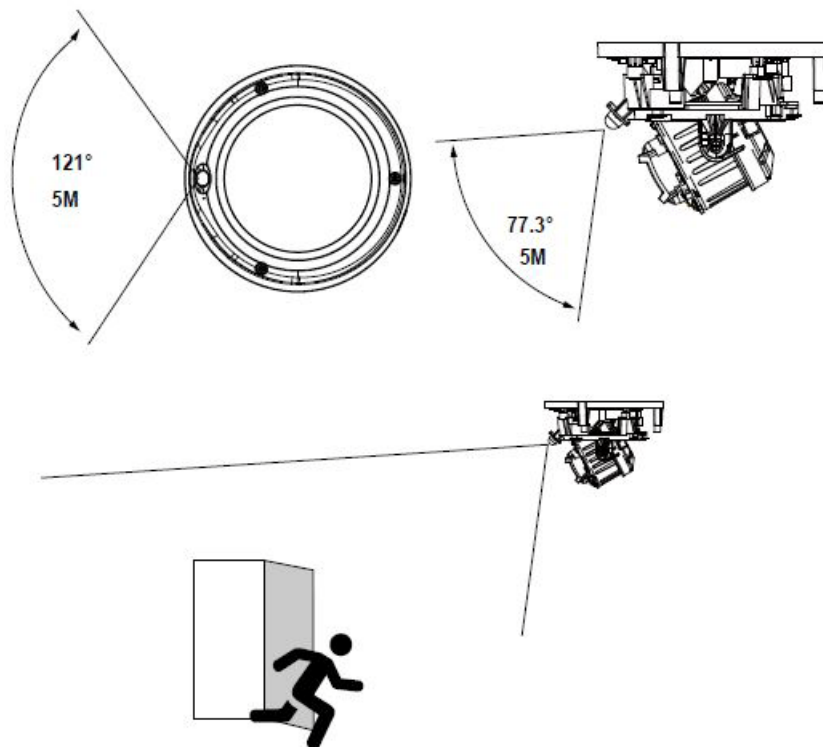
Step 1 Make a note of the MAC address of the camera.

The MAC address is printed on the label that is attached to the camera.

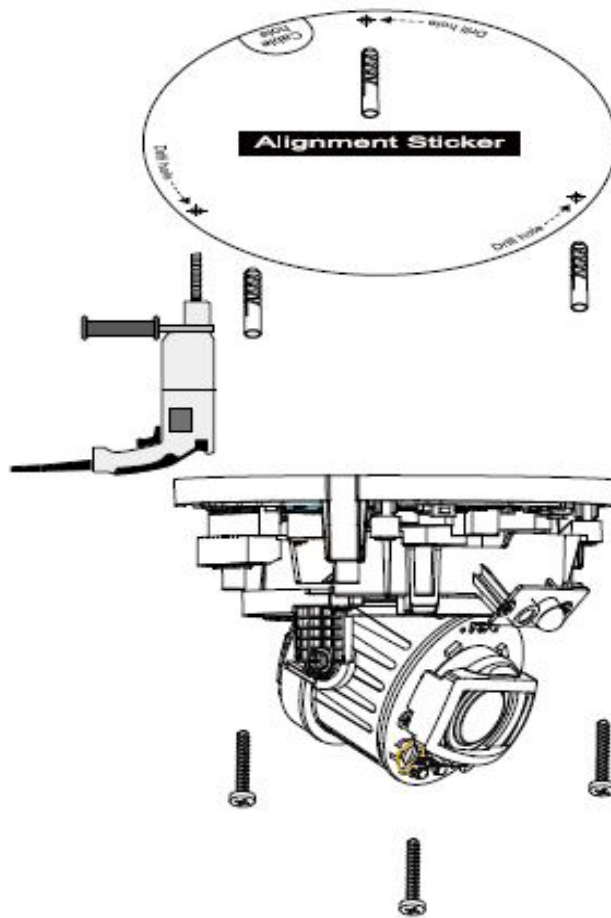
Step 2 Remove the dome cover by pressing the release button.



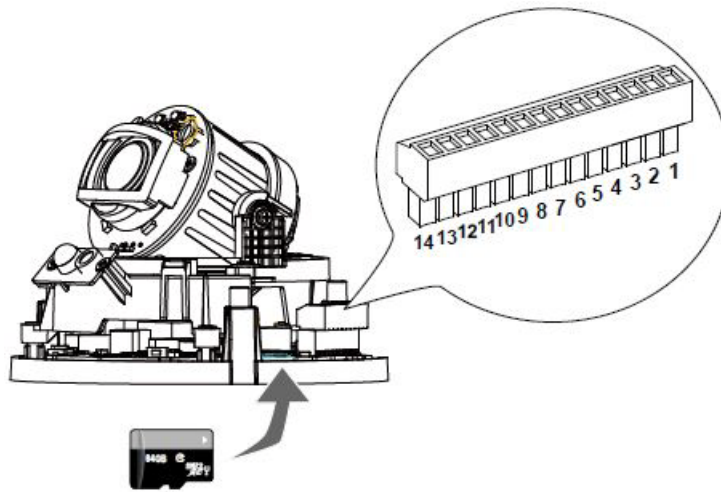
Step 3 Plan your installation. Note the PIR sensor's coverage when selecting a installation position.



- Step 4** Use the alignment sticker to drill mounting holes on the ceiling. Install the camera using the included screws and anchors.



- Step 5** Install an SD card to the socket. See the pinouts table in the figure if DI/DO, audio, and external power are preferred.



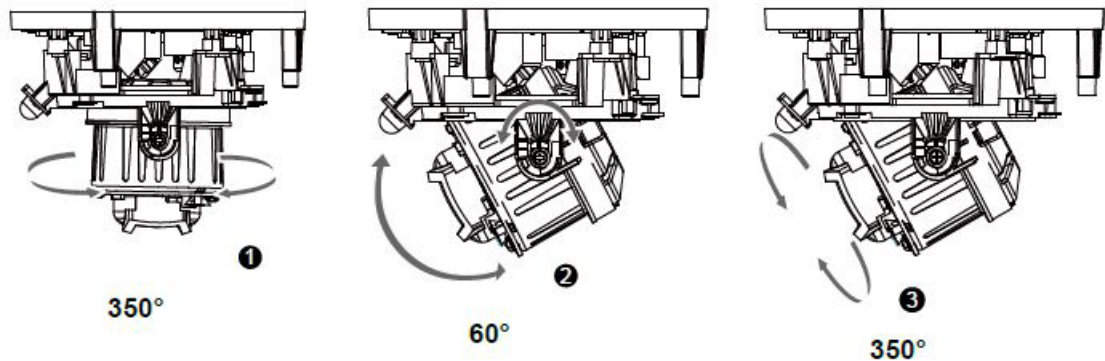
#	Name
1	AC24V
2	AC24V
3	DC12V IN-
4	DC12V IN+
5	VIDEO OUT N
6	VIDEO OUT P
7	DI- (GND, also a common GND for DO, MIC IN, & AUDIO OUT)
8	DI1+
9	DI0+
10	DO1-
11	DO0-
12	DO+ (5V)
13	MIC IN P
14	AUDIO OUT P

- Step 6** Access the camera web-based user interface and, with a live view, adjust the camera shooting direction by changing the pan, tilt, and rotation angle.

You can use the Cisco IP Camera Setup Software to obtain the IP address of the camera, which you need to access the camera. For instructions, see *Cisco IP Camera Setup Software Reference Guide* at:

<https://www.cisco.com/c/en/us/support/connected-safety-security/video-surveillance-8000-series-ip-cameras/products-technical-reference-list.html>

For information about accessing the camera and viewing video, see [Chapter 2, “Accessing the IP Camera”](#) and [Chapter 3, “IP Camera Main Page.”](#)

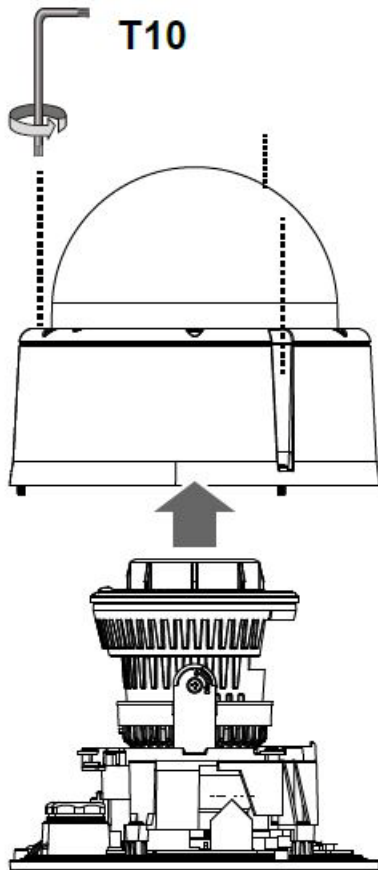


- Step 7** Install the dome cover by snapping it onto the base.
- Step 8** Access the camera web-based user interface and choose **Configuration > Media > Image > Focus** page. You will see a live stream on screen. If preferred, you can zoom in on the scene. Use the Perform Auto Focus function to automatically tune to a best image focus.

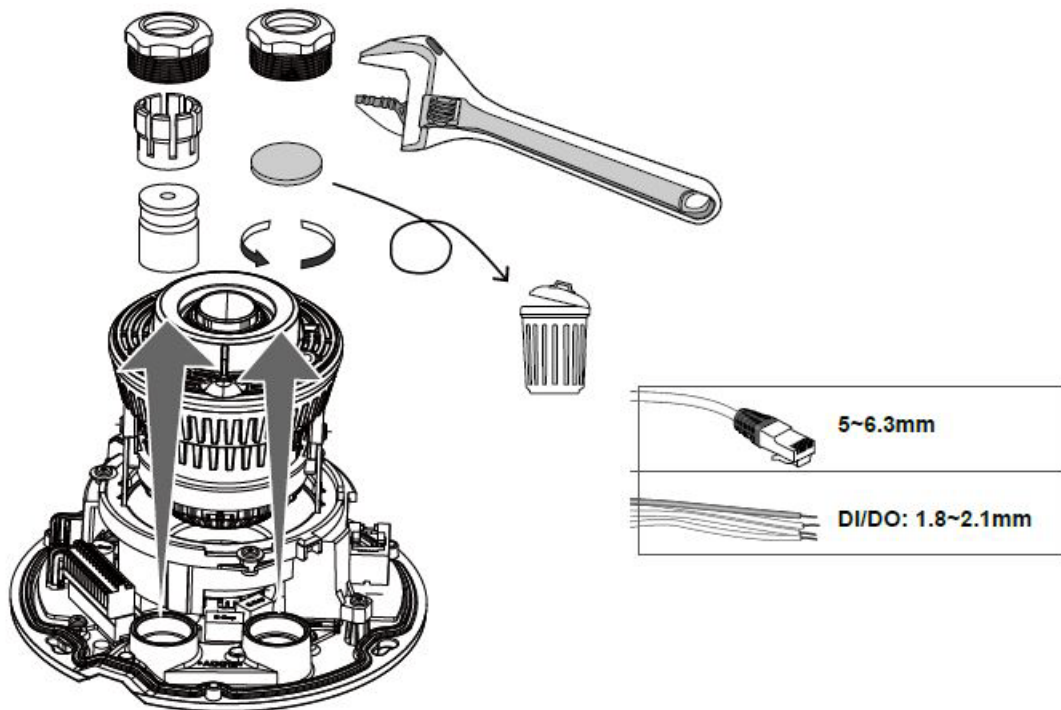
Cisco Video Surveillance 8630 IP Camera Hardware Installation

To perform the hardware installation of the Cisco Video Surveillance 8630 IP Camera, follow these steps:

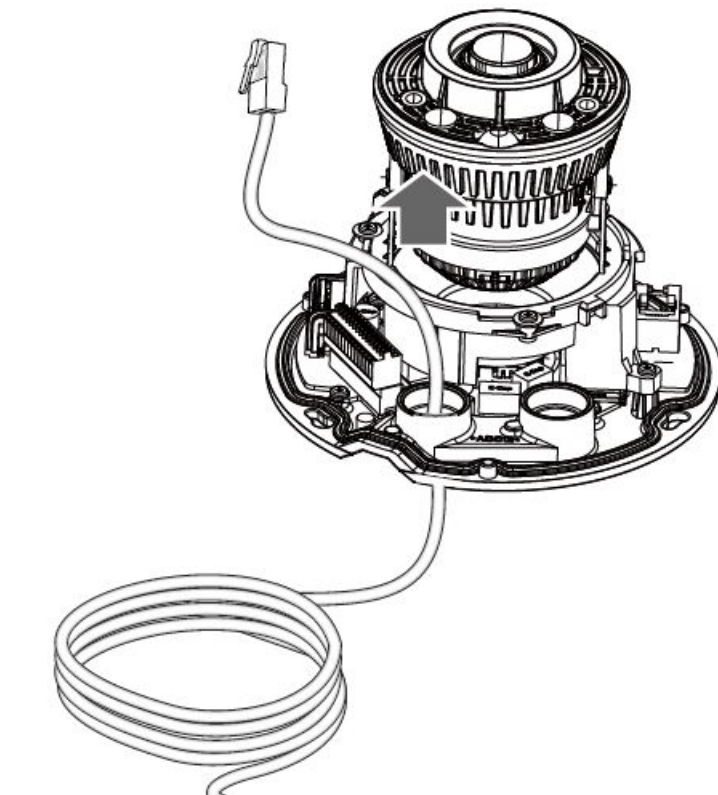
-
- Step 1** Make a note of the MAC address of the camera.
The MAC address is printed on the label that is attached to the camera.
- Step 2** Remove the dome cover using the included T10 wrench.



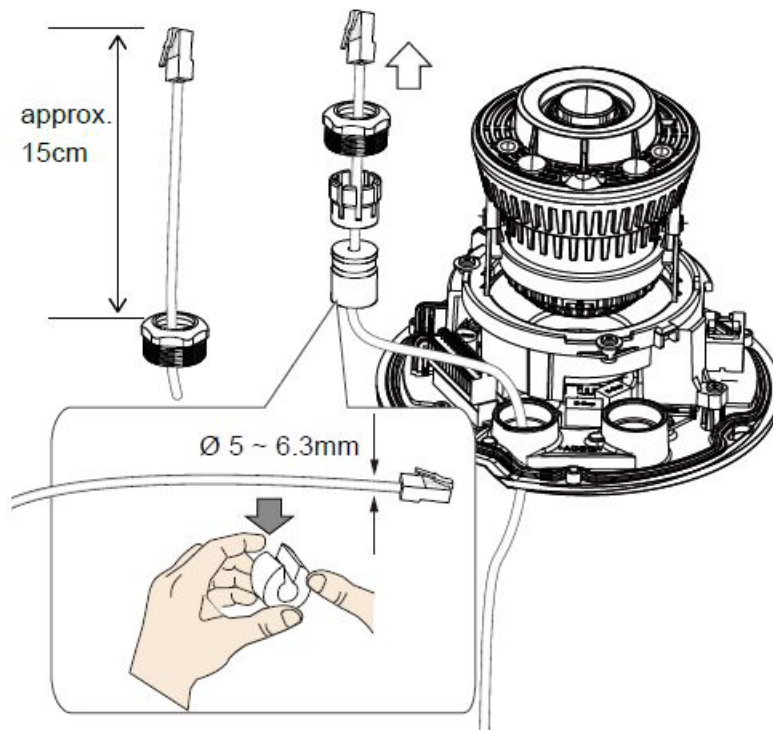
Step 3 Remove the waterproof connectors. You can dispose the foam pad from the I/O connector cabling hole.



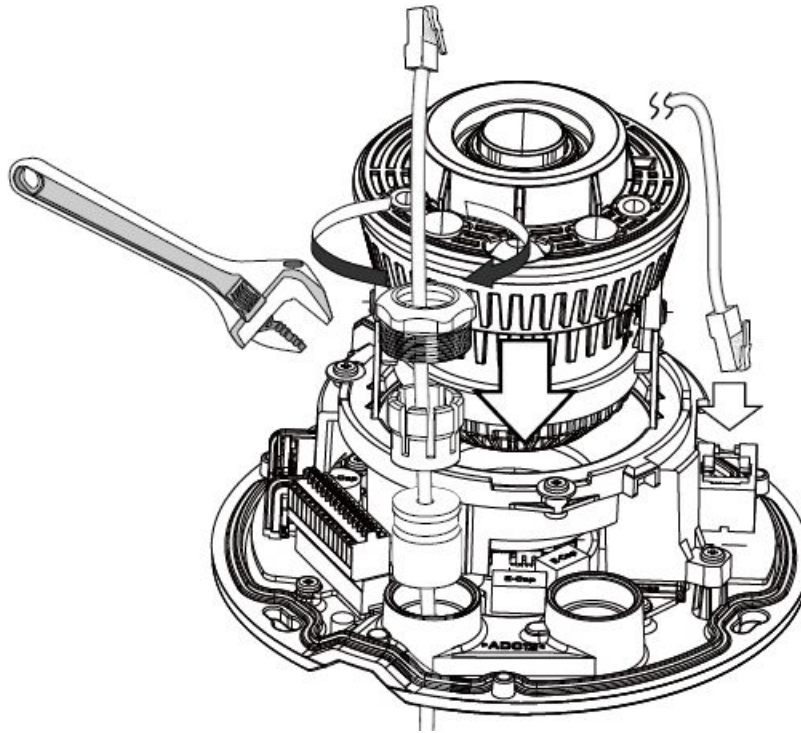
Step 4 Pass an Ethernet cable through the cabling hole as shown in the following figure.



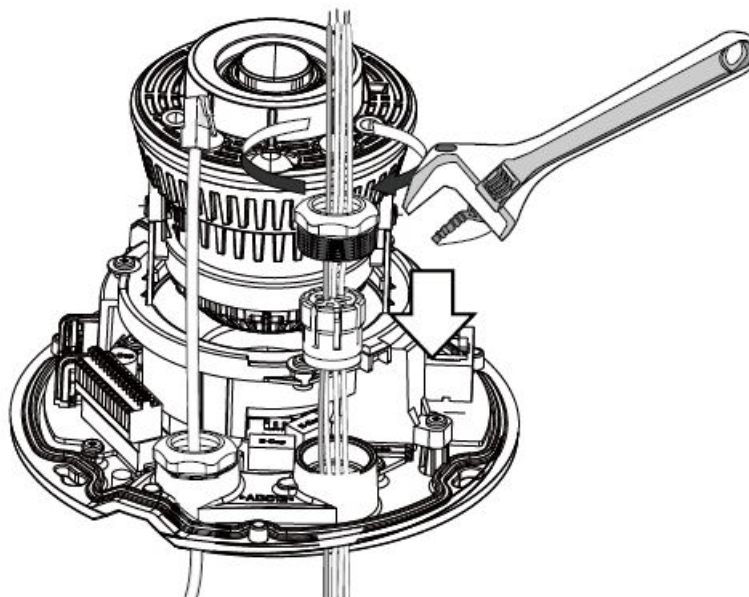
- Step 5** Wrap the rubber seal around the cable, and install the waterproof cable gland components to the Ethernet cable. Leave a length of 15cm from the top of cable gland assembly.



- Step 6** Use a crescent wrench to tighten the hex nut from top. Make sure the waterproof cable gland is properly installed. Connect the Ethernet cable to the RJ45 socket.

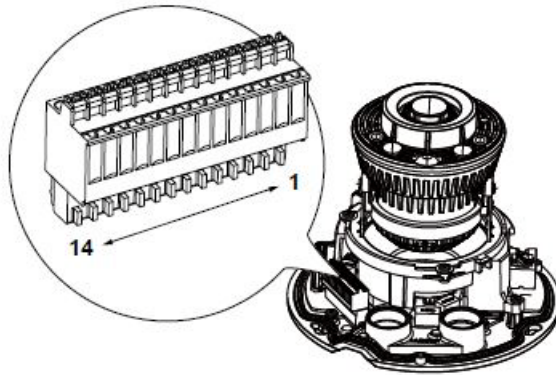


- Step 7** Pass the DI/DO, audio, and power wires through the waterproof cable gland components, and through the rubber seal as shown below. Tighten the cable gland components using a crescent wrench.

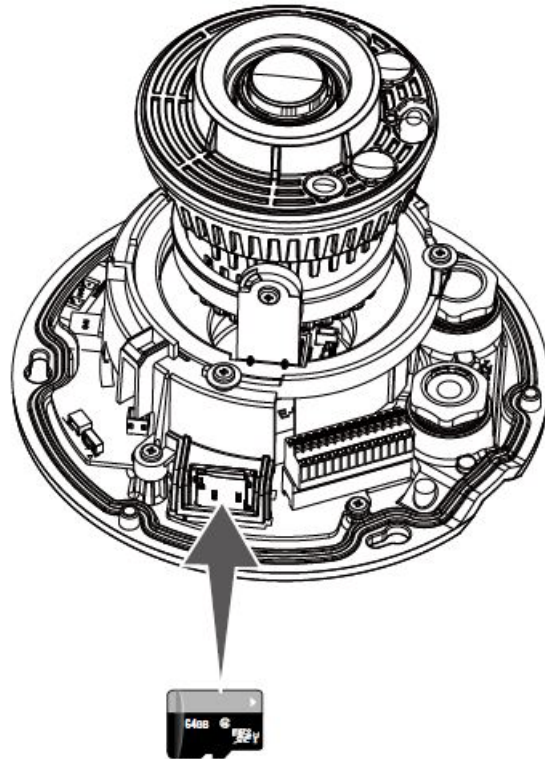


Step 8 The following table and figure show the pinouts. The DI/DO, audio, and power wires are user-supplied.

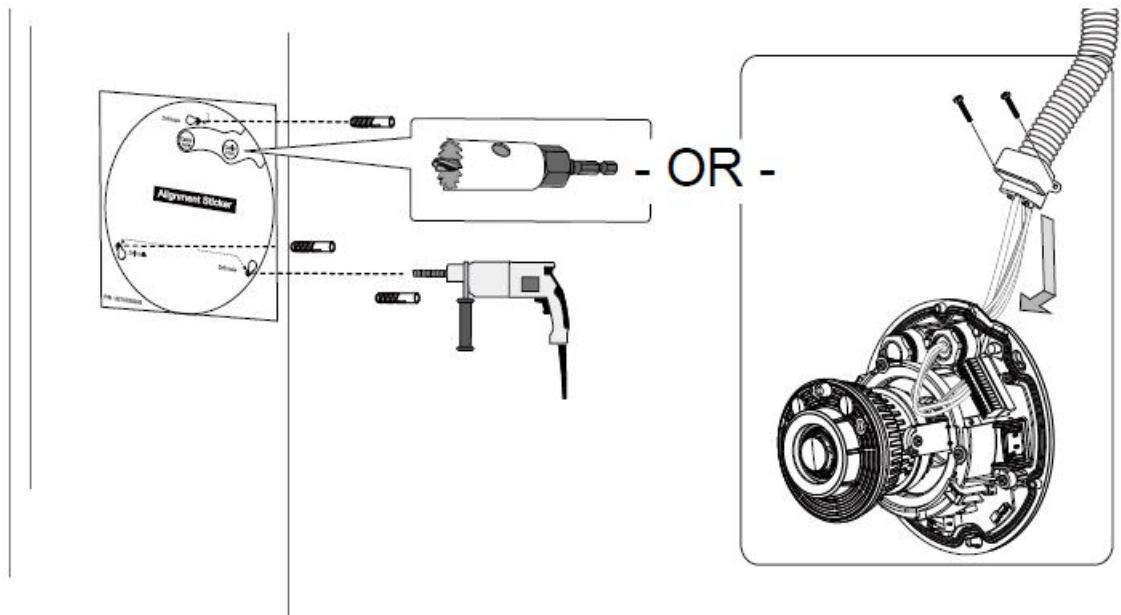
#	Name
1	AC 24V
2	AC 24V
3	DC 12V IN-
4	DC 12V IN+
5	VIDEO-OUT N
6	VIDEO-OUT P
7	DI- (Common GND for all DI, DO, MIC-IN, and AUDIOOUT)
8	DI+ 1
9	DI+ 0
10	DO- 1 (If external devices are powered by external sources, can use DI- as common ground)
11	DO- 0
12	DO+ (5V; if used, can be paired with DO- 0 and DO- 1.)
13	MIC-IN P
14	AUDIO-OUT P



Step 9 Install a MicroSD card if onboard storage is preferred.

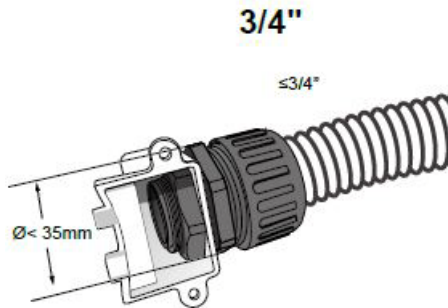


Step 10 Use the alignment sticker to drill mounting holes on a ceiling or wall. If drilling a routing hole is not allowed, you can use the side-routing bracket to route cables through a 3/4 inch conduit from the side of the camera.

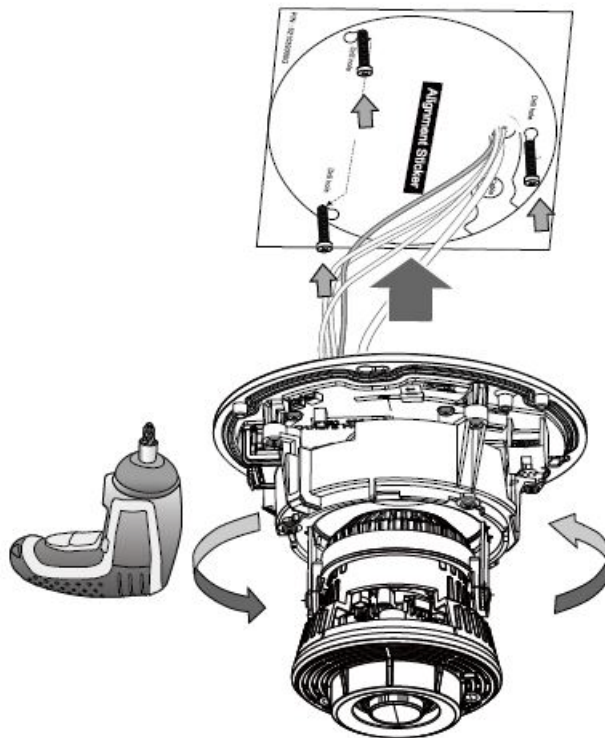




Note The diameter of the hex lock nut of the conduit connector should not be larger than 35mm.



Step 11 Install the camera to ceiling using the included screws. Pass the screw heads through the keyhole slots, turn the camera counter-clockwise, and then fasten the screws.

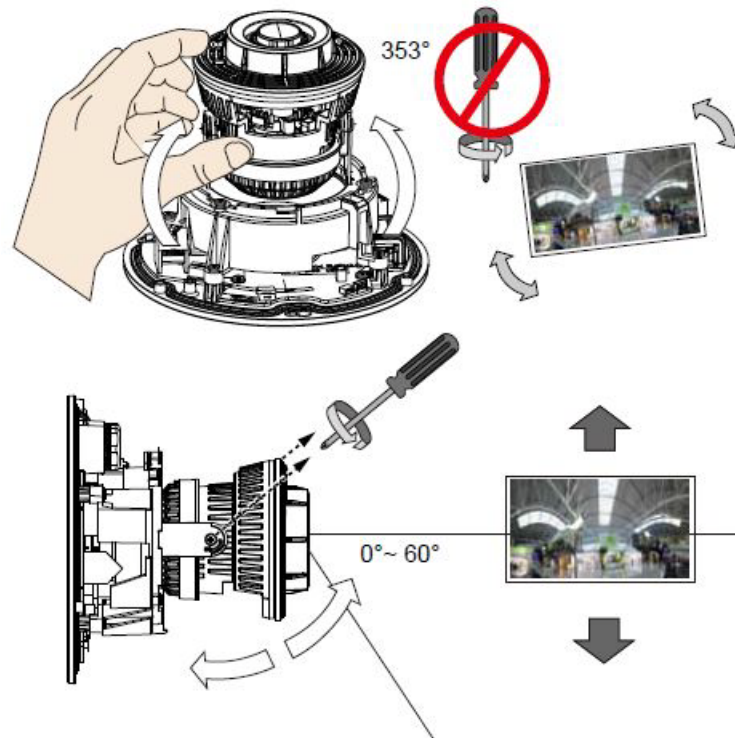


Step 12 Access the camera web-based user interface and, with a live view, adjust the camera's shooting direction by changing the pan, tilt, and rotation angle.

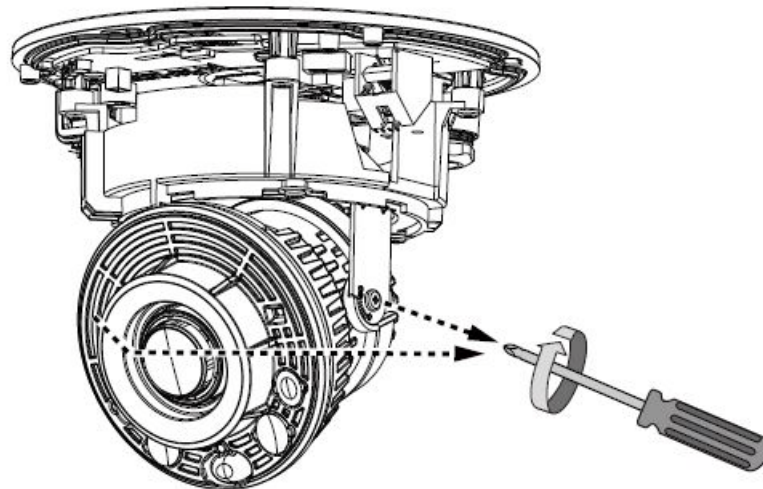
You can use the Cisco IP Camera Setup Software to obtain the IP address of the camera, which you need to access the camera. You also can use this tool to perform the basic camera set up. For instructions, see *Cisco IP Camera Setup Software Reference Guide* at:

<https://www.cisco.com/c/en/us/support/connected-safety-security/video-surveillance-8000-series-ip-cameras/products-technical-reference-list.html>

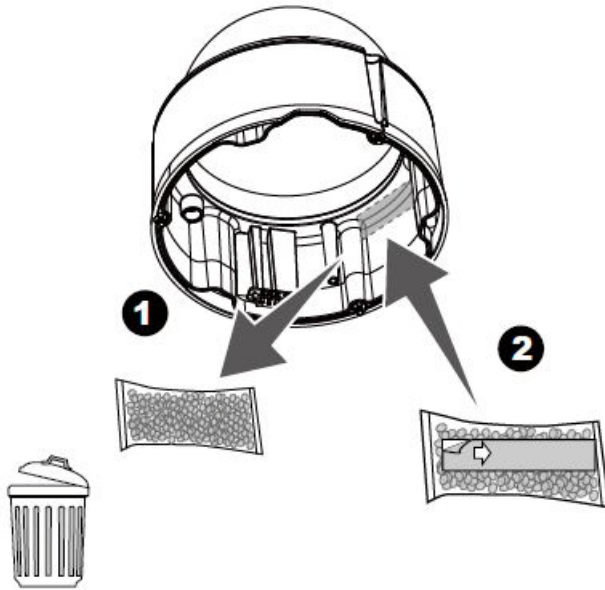
For information about accessing the camera and viewing video, see Chapter 2, “Accessing the IP Camera” and Chapter 3, “IP Camera Main Page.”



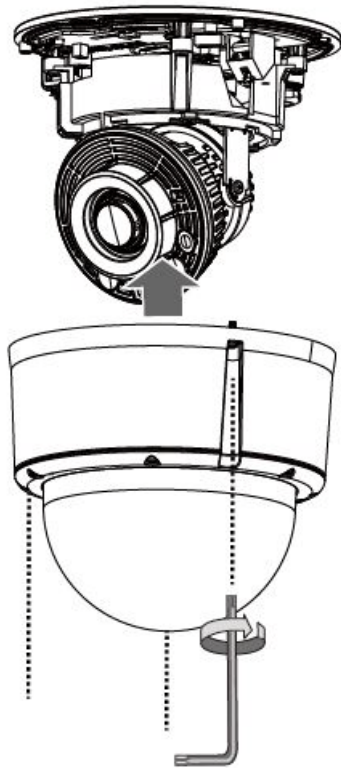
Step 13 When done, tighten the tilt retention screws.



Step 14 Replace the desiccant bags on the inside of the dome cover.



Step 15 Install the dome cover using the T10 wrench.





Note Do not loosen the other 6 anti-tamper screws on the top of the dome cover. They are used to hold the dome cover components in place.

- Step 16** Access the camera web-based user interface and choose **Configuration > Media > Image > Focus** page. You will see a live stream on screen. If preferred, you can zoom in on the scene. Use the Perform Auto Focus function to automatically tune to a best image focus.

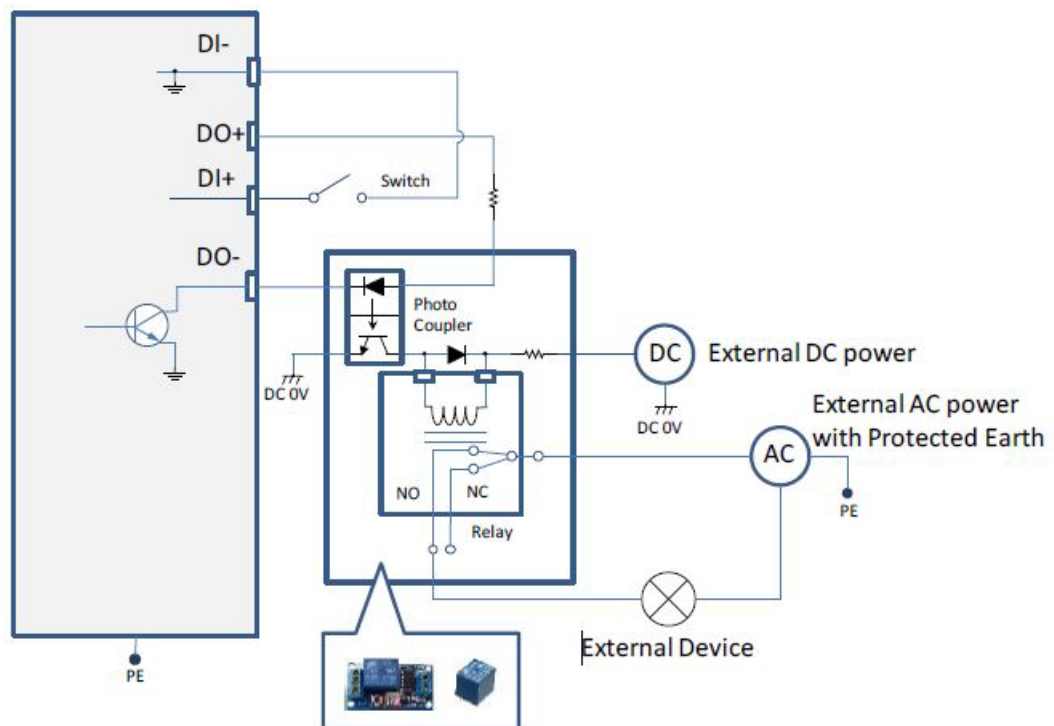
DI/DO Diagram

- The DO+ pin provides a 5V output, and the max. load is 50mA.
- The max. voltage for DO- pins is 30VDC (External power).

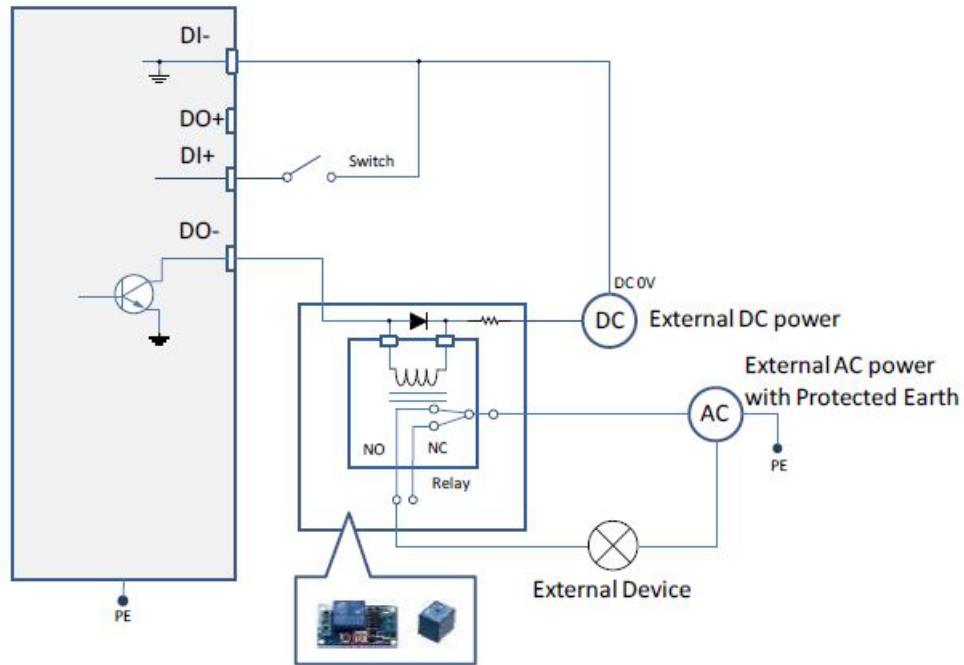
In order to control AC devices, the following diagram can be taken into consideration. This diagram uses a relay to control the ON/OFF condition of the AC device.

- An external relay can be triggered by using the DO+ or by an external power source, depending on the type of relay you use.
- In case of using an individual relay (instead of using a relay module), for protection against voltage or current spikes, a transient voltage suppression diode must be connected in parallel with the inductive load.

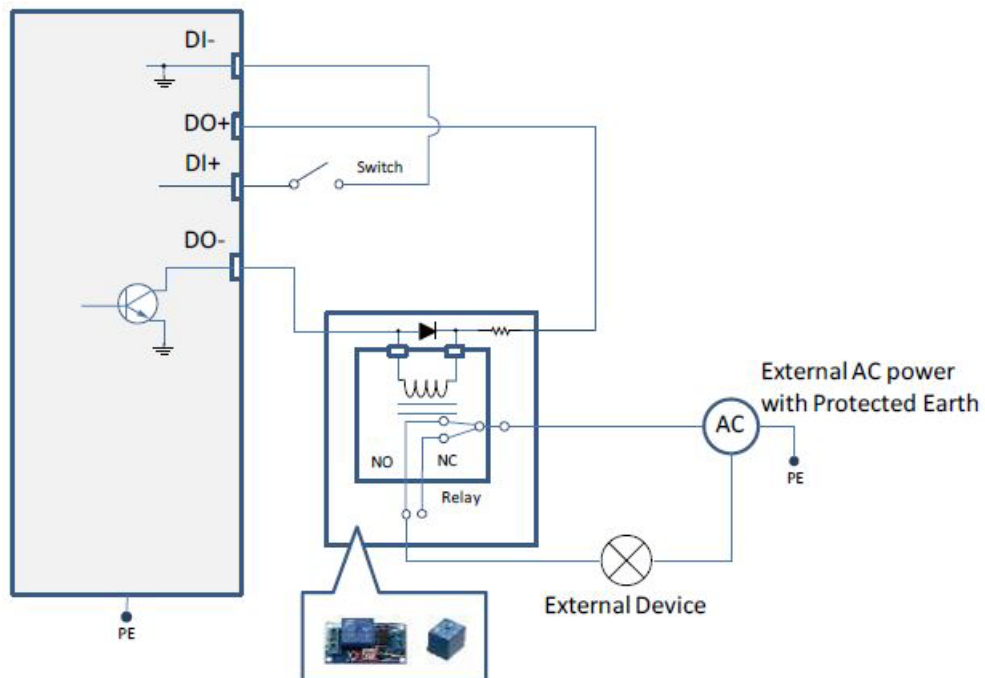
The following figure shows dry contact with external DC power source to supply a relay. Dry contact is the safest connection to protect devices.



The following figure shows wet contact with external DC power source to supply a relay



The following figure shows dry Contact and Using Camera DO+ to Supply a Relay



LED Definitions

Table 1-1 describes the LEDs on the Cisco Video Surveillance IP Camera.

Table 1-1 IP Camera LEDs

Item	LED Status	Description
1	Steady red	Powered and system booting, or network failed
	Red LED off	Power off
	Green LED off	Network disconnected
2	Steady Red and Green LED blinks every 1 sec.	Connected to network
3	Green LED blinks every 1 second and red LED blinks consecutively every 0.15 second	Upgrading firmware
4	Green and red LEDs blink every 0.15 second, green and red light on, then blink again	Restoring defaults
5	Red LED is on, green LED blinks, and red LED is constantly on	Status after a reset (network connected)
	Green and red LEDs are constantly on	Status after a reset (network disconnected)

Hardware Reset

The recessed button (see [Figure 1-2 on page 1-2](#) for the 8620 or [Figure 1-4 on page 1-4](#) for the 8630) is used to reset the system or restore the factory default settings. Sometimes resetting the system can return the camera to normal operation. If the system problems remain after reset, restore the factory settings and install again.

- **Reset**—Press the recessed reset button. Wait for the camera to reboot.
- **Restore**—Press and hold the reset button until the status LED rapidly blinks. All settings will be restored to factory default. Upon successful restore, the status LED will blink green and red during normal operation.

MicroSD/SDHC/SDXC Card Capacity

The camera is compliant with SD/SDHC/SDXC 16GB / 8GB / 32GB / 64GB and other preceding standard SD cards.

Network Deployment

The following sections provide information about deploying the camera on a network:

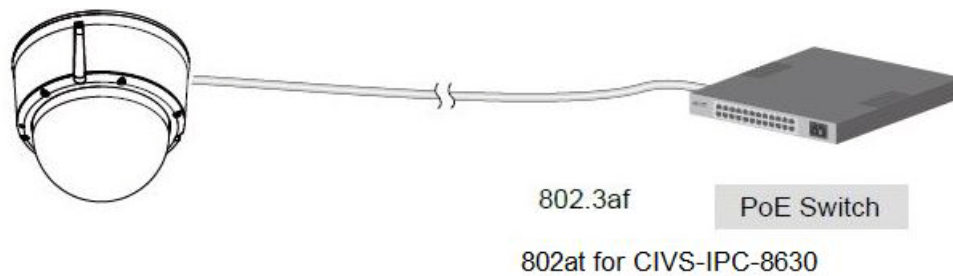
- [General Connection \(PoE\), page 1-20](#)
- [Network Connection, page 1-21](#)

General Connection (PoE)

Using a PoE-Enabled Switch

The camera is PoE-compliant, allowing transmission of power and data via a single Ethernet cable. [Figure 1-5](#) illustrates how to connect the camera to a PoE-enabled switch via an Ethernet cable.

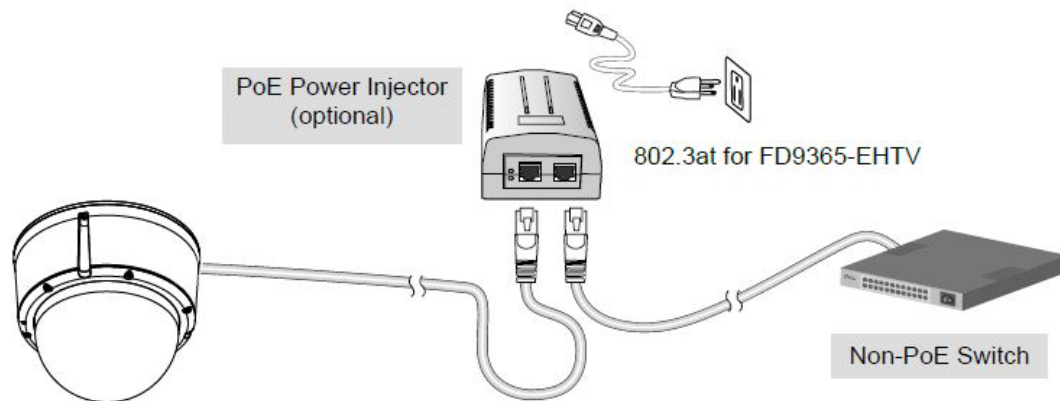
Figure 1-5 Connecting the Camera to a PoE-Enabled Switch



Using a Non-PoE Switch

Use a PoE power injector (optional) to connect between the camera and a non-PoE switch, as shown in [Figure 1-6](#).

Figure 1-6 Connecting the Camera to a Non-PoE Switch




Note

- The camera is only to be connected to PoE networks without routing to outside plants.
- For a PoE connection, use only UL listed I.T.E. with PoE output.

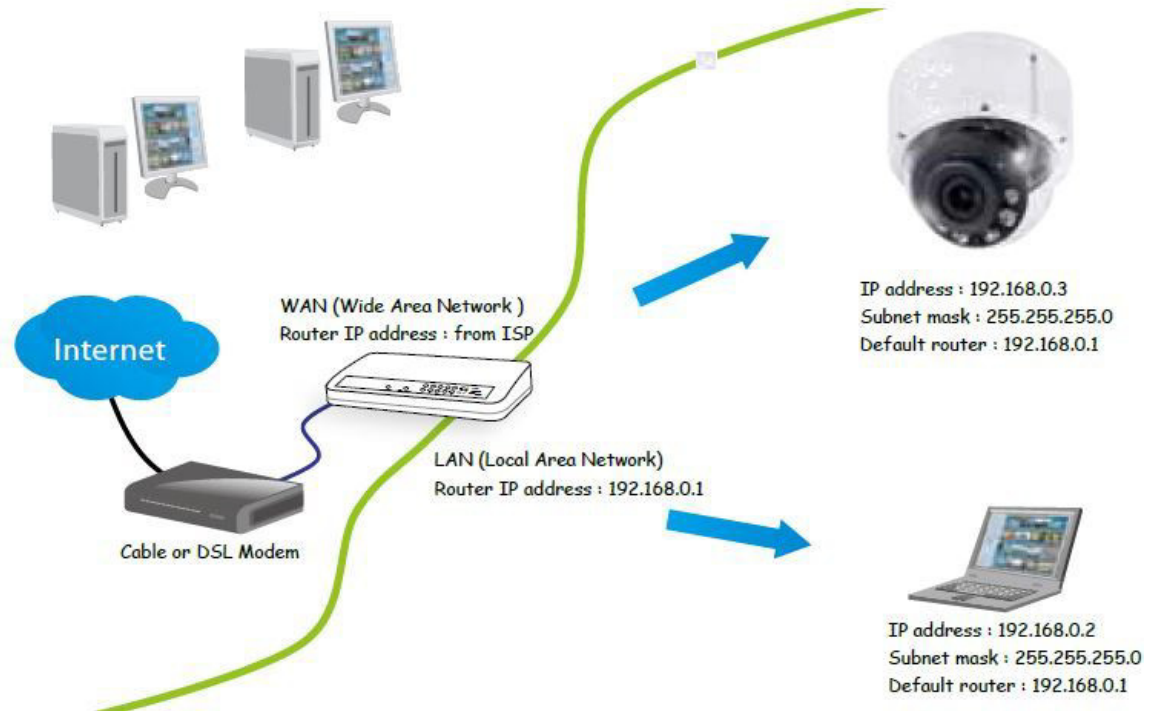
Network Connection

Internet Connection via a Router

To set up the camera over the Internet, make sure you have a router and follow these steps:

- Step 1** Connect your camera behind a router, the Internet environment is illustrated in [Figure 1-7](#).

Figure 1-7 Connecting the Camera Via a Router



- Step 2** In this case, if the Local Area Network (LAN) IP address of your camera is 192.168.0.3, forward the following ports for the camera on the router.:

- HTTP port: default is 80
- RTSP port: default is 554
- RTP port for video: default is 5556
- RTCP port for video: default is 5557

If you have changed the port numbers on the Network page, open the ports accordingly on your router. For information about how to forward ports on the router, see your router documentation.

- Step 3** Find out the public IP address of your router provided by your Internet Service Provider (ISP). Use the public IP and the secondary HTTP port to access the camera from the Internet. See the [“Network > General settings” section on page 5-21](#) for more information.

Internet Connection with Static IP

Choose this connection type if you are required to use a static IP for the camera. See the “[Network > General settings](#)” section on page 5-21 for more information.

Internet Connection via Point-to-Point over Ethernet (PPPoE)

Choose this connection type if you are connected to the Internet via a DSL Line. See the description of PPPoE (Point-to-point over Ethernet) in the “[Network Type Tab](#)” section on page 5-22.

For example, your router and IP settings may look like this:

Device	IP Address: Internal Port	IP Address: External Port (Mapped Port on the Router)
Public IP of router	122.146.57.120	
LAN IP of router	192.168.2.1	
Camera 1	192.168.2.10:80	122.146.57.120:8000
Camera 2	192.168.2.11:80	122.146.57.120:8001
...

Configure the router, virtual server or firewall, so that the router can forward any data coming into a preconfigured port number to a camera on the private network, and allow data from the camera to be transmitted to the outside of the network over the same path.

From	Forward to
122.146.57.120:8000	192.168.2.10:80
122.146.57.120:8001	192.168.2.11:80
...	...

When properly configured, you can access a camera behind the router using the HTTP request such as: `http://122.146.57.120:8000`.

If you change the port numbers on the Network configuration page, open the ports accordingly on your router. For example, you can open a management session with your router to configure access through the router to the camera within your local network. See your network administrator for router configuration if you have troubles with the configuration.

For more information about network configuration options (such as that of streaming ports), choose **Configuration > Network** in the IP camera web-based interface. Cisco also provides the automatic port forwarding feature as an NAT traversal function with the precondition that your router must support the UPnP port forwarding feature.



Accessing the IP Camera

This chapter explains how to access the IP camera through web browsers and RTSP players.

This chapter includes these topics:

- [Using Web Browsers, page 2-1](#)
- [Performing the Initial Setup of the IP Camera, page 2-2](#)
- [Using RTSP Players, page 2-3](#)
- [Using 3GPP-Compatible Mobile Devices, page 2-3](#)

Using Web Browsers

To access the camera, follow these steps:

-
- Step 1** Launch your web browser (Microsoft Internet Explorer Mozilla Firefox).
- Step 2** Enter the IP address of the camera in the address field and then press **Enter**.
Live video is displayed in your web browser.
If it is the first time installing the camera, a dialog box prompts for information. Follow the instructions to install the required plug-in on your computer.
- Step 3** If you see a dialog box indicating that your security settings prohibit running ActiveX Controls, enable the ActiveX Controls for your browser:
- a. Choose **Tools > Internet Options > Security > Custom Level**.
 - b. Look for Download signed ActiveX controls, select **Enable** or **Prompt**, and then click **OK**.
 - c. Refresh your web browser, then install the ActiveX control. Follow the instructions to complete installation.
-



Note

- The camera utilizes 32-bit ActiveX plugin. You cannot open a management/view session with the camera using a 64-bit IE browser.
- If you encounter this problem, try execute the Iexplore.exe program from C:\Windows\SysWOW64. A 32-bit version of IE browser will be installed.

- On Windows 7, the 32-bit explorer browser can be accessed from here: C:\Program Files (x86)\Internet Explorer\iexplore.exe.

**Tip**

The onscreen Java control can malfunction under the following situations: A PC connects to different cameras that are using the same IP address (or the same camera running different firmware versions). Removing your browser cookies will solve this problem.

If you encounter problems with displaying the configuration menus or UI items, try disabling the Compatibility View on Internet Explorer 8 or 9.

You may also press the F12 key to open the developer tools utility, and then change the Browser Mode to the genuine Internet Explorer 8 or 9 mode.

In the event of plug-in compatibility issues, you may try to uninstall the plug-in that was previously installed.

Performing the Initial Setup of the IP Camera

After you install IP camera or after you perform a factory reset procedure, you must access the IP camera and make initial configuration settings. These settings include root passwords, and whether the IP camera can be accessed through an HTTPS connection in addition to the default HTTP connection.

By default, when the IP camera powers on, it attempts to obtain an IP address from a DHCP server in your network. If the camera cannot obtain an IP address through DHCP, an IP address is assigned using the Link-Local address scheme. The camera acquires an IP address by inserting part of its MAC address into the 169.254.x.x IP address. To do this, the camera converts the hex digits of the MAC address to decimal values and then applies them to create an IP address in the following format:

169.254.MAC:9-10.MAC:11-12

where MAC:9-10 are the 9th and 10th digits in the MAC address, and MAC:11-12 are the 11th and 12th digits.

For example, using this method, camera with a MAC address of 00-11-22-33-44-55 acquires an IP address of 169.254.68.85, given that hex 44 = 68 decimal and hex 55 = 85 decimal.

To connect to the IP camera for the first time and make initial configuration settings, perform the following steps:

-
- Step 1** Start Internet Explorer, enter `HTTP://ip_address` in the address field, and press **Enter**.
Replace *ip_address* with the IP address that the IP camera obtained through DHCP or, if the camera was unable to obtain this IP address, enter 169.254.x.x as obtained by camera.
The Configure password window appears
 - Step 2** In the Password and Confirm Password fields, enter a password for the IP camera root user.
 - Step 3** Enable / disable HTTPs check box as required.
 - Step 4** Click **Save**.
-

Using RTSP Players

To view the streaming media using RTSP players, you can use one of the following players that support RTSP streaming.

- Quick Time Player
- VLC media player

-
- Step 1** Launch the RTSP player.
- Step 2** Choose **File > Open URL**. A URL dialog box will pop up.
- Step 3** The address format is
`rtsp://ip_address:rtsp_port/RTSP_streaming_access_name_for_stream1_or_stream2`.
As most ISPs and players only allow RTSP streaming through port number 554, set the RTSP port to 554. For more information, see the [“RTSP Streaming” section on page 5-25](#).
- Step 4** The live video will be displayed in your player.
For more information about how to configure the RTSP access name, see the [“RTSP Streaming” section on page 5-25](#).
-

Using 3GPP-Compatible Mobile Devices

To view the streaming media through 3GPP-compatible mobile devices, make sure the camera can be accessed over the Internet. For more information on how to set up the camera over the Internet, see the [“Network Deployment” section on page 1-9](#).

To utilize this feature, do the following on the camera:

-
- Step 1** Because most players on 3GPP mobile phones do not support RTSP authentication, make sure the authentication mode of RTSP streaming is set to disable. For more information, see the [“RTSP Streaming” section on page 5-25](#).
- Step 2** As the bandwidth on 3G networks is limited, you will not be able to use a large video size. Set the video streaming parameters as follows. For more information, see the [“RTSP Streaming” section on page 5-25](#).
- Video Mode—H.264
 - Frame Size—176 X 144
 - Maximum frame rate—5 fps
 - Intra frame period—1S
 - Video quality (Constant bit rate)—40kbps
- Step 3** As most ISPs and players only allow RTSP streaming through port number 554, set the RTSP port to 554. For more information, see the [“RTSP Streaming” section on page 5-25](#).
- Step 4** Launch the player, such as QuickTime, on the 3GPP-compatible mobile devices.

Step 5 Type the following URL commands into the player. The address format is
*rtsp://public_ip_address_of_your_camera:rtsp_port/
RTSP_streaming_access_name_for_stream_#_with_small_frame_size_and_frame_rate.*

For example:

rtsp://192.168.10.15:554/live2.sdp

You can configure Stream #2 into the suggested stream settings as shown above for live viewing on a mobile device.

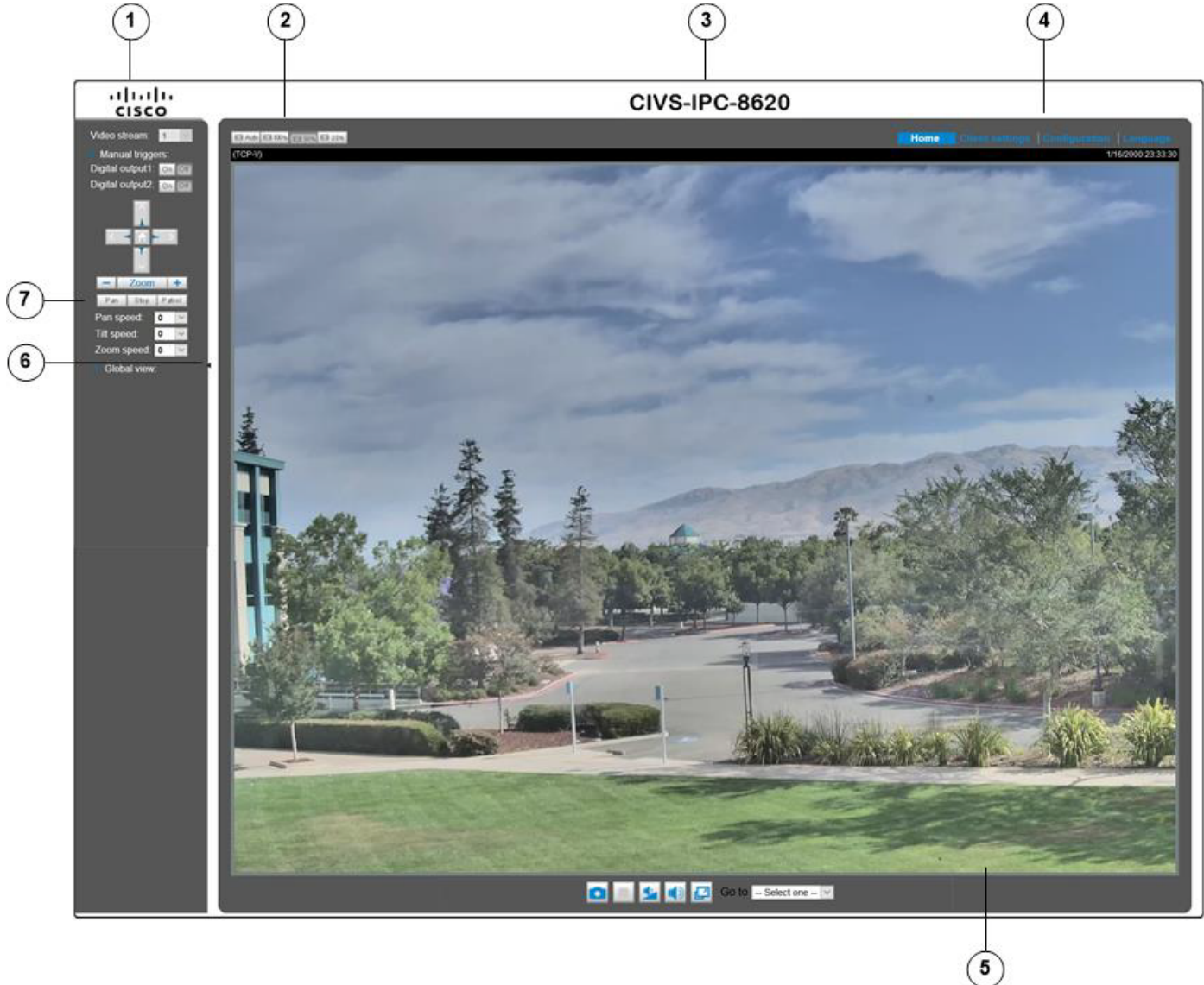


IP Camera Main Page

This chapter explains the layout of the IP camera Main page. It is composed of the following sections: Cisco Logo, Host Name, Camera Control Area, Configuration Area, Menu, and Live Video Window.

[Figure 3-1](#) illustrates the Main page.

Figure 3-1 Camera Main Page



1	Cisco Logo. Click this logo to visit the Cisco website
2	<p>Resize buttons:</p> <ul style="list-style-type: none"> • Click the Auto button, the video cell will resize automatically to fit the monitor • Click 100% is to display the original homepage size • Click 50% is to resize the homepage to 50% of its original size • Click 25% is to resize the homepage to 25% of its original size.
3	Host Name. The host name can be customized to fit your needs. The name can be changed especially if there are many cameras in your surveillance deployment. For more information, see the “System > General settings” section on page 5-3.

4	<p>Configuration Area:</p> <ul style="list-style-type: none"> • Client Settings—Click this button to access the client setting page. For more information, see Chapter 4, “Client Settings.” • Configuration—Click this button to access the configuration page of the camera. It is suggested that a password be applied to the camera so that only the administrator can configure the camera. For more information, see Chapter 5, “Configuration.” • Language—Click this button to choose a language for the user interface. You can also change a language on the Configuration page
5	<p>Video view window. Shows the video stream from the IP camera.</p> <p>The information in this window depends on the video stream configuration. Depending on the camera model and camera configuration, some buttons may not be available.</p> <p>See the “Live Video Window for H.264 or H.265 Video Streams” section on page 3-3 and the “Live Video Window for MJPEG Video Streams” section on page 3-5.</p>
6	<p>Hide button. You can click the hide button to hide or display the control panel.</p>
7	<p>Camera Control Area:</p> <ul style="list-style-type: none"> • Video Stream—This camera supports multiple streams (streams 1 and 2) simultaneously. You can select any of them for live viewing. For more information about multiple streams, see the “Media > Video” section on page 5-15. • Manual Trigger—Click to enable/disable an event trigger manually. Configure an event setting on the Application page before you enable this function. A total of 3 event configuration can be configured. For more information about event setting, see the “Event > Event settings” section on page 5-34. If you want to hide this item on the Home page, go to Configuration > System > Homepage Layout > General settings > Customized button to deselect the show manual trigger button check box.

Live Video Window for H.264 or H.265 Video Streams

When the video mode is set to H.264 or H.265, the Live Video window appears as shown in [Figure 3-2](#). For further configuration, see [Chapter 4, “Client Settings.”](#)

This window also includes the following:

- PTZ Panel—This camera supports “digital” (e-PTZ) pan/tilt/zoom control, which allows roaming a smaller view frame within a large view frame. See the [“PTZ > PTZ settings”](#) section on page 5-33 for detailed information.
- Global View: Click on this item to display the Global View window. The Global View window contains a full view image (the largest frame size of the captured video) and a floating frame (the viewing region of the current video stream). The floating frame allows you to control the e-PTZ function (Electronic Pan/ Tilt/Zoom). For more information about e-PTZ operation and about how to set up the viewing region of the current video stream, see the [“PTZ > PTZ settings”](#) section on page 5-33.

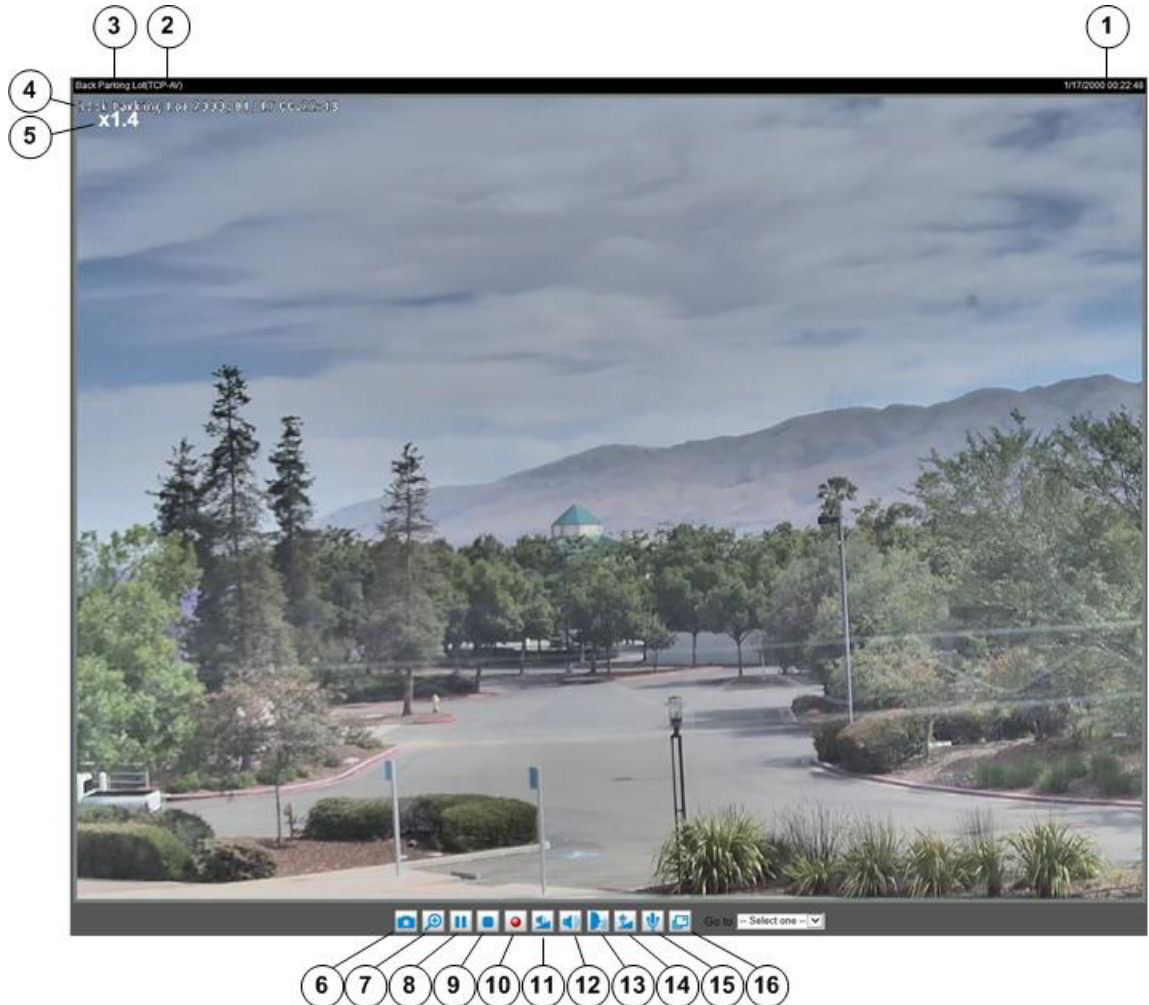


Note


- The PTZ buttons on the panel are not operational unless you are showing only a portion of the full image. If the live view window is displaying the full view, the PTZ buttons are not functional.
- For a megapixel camera, it is recommended to use monitors of the 24 inch size or larger, and are capable of 1600x1200 or better resolutions.

- The following are the defaults for audio settings:
 - For cameras with built-in microphone: Not Muted.
 - For cameras without built-in microphone: Muted.
- To receive audio input from an external microphone, you may need to enable the audio input from Media > Audio. See the [“Media > Audio” section on page 5-21](#) for more information.

Figure 3-2 Live Video Window for H.264 or H.265



1	Time. Display the current date and time. For more information, see the “Image settings” section on page 5-11 .
2	H.264 or H.265 protocol and media options. The transmission protocol and media options for H.264 or H.265 video streaming.
3	Video title. The video title can be configured. For more information, see the “Media > Image” section on page 5-8 .
4	Title and Time. The video title and time can be stamped on the streaming video. For more information, see the “Media > Image” section on page 5-8 .

5	Zoom indicator.
6	Snapshot button. Click this button to capture and save still images. The captured images will be displayed in a pop-up window. Right-click the image and choose Save Picture As to save it in JPEG (*.jpg) or BMP (*.bmp) format.
7	Digital Zoom button. Click and uncheck “Disable digital zoom” to enable the zoom operation. The navigation screen indicates the part of the image being magnified. To control the zoom level, drag the slider bar. To move to a different area you want to magnify, drag the navigation screen.
8	Pause button. Pause the transmission of the streaming media. The button becomes the Resume button after clicking the Pause button.
9	Stop button. Stop the transmission of the streaming media. Click the Resume button to continue transmission.
10	Start MP4 Recording button. Click this button to record video clips in MP4 file format to your computer. Press the Stop MP4 Recording button  to end recording. When you exit the web browser, video recording stops accordingly. To specify the storage destination and file name, see the “MP4 Saving Options” procedure on page 4-2.
11	Volume button. When the Mute function is not activated, move the slider bar to adjust the volume on the local computer.
12	Mute button. Turn off the volume on the local computer. The button becomes the Audio On button after clicking the Mute button.
13	Talk button. Click this button to talk to people around the camera. Audio will project from the external speaker connected to the camera. Click this button again to end talking transmission.
14	Mic Volume button. When the Mute function is not activated, move the slider bar to adjust the microphone volume on the local computer.
15	Mute. Turn off the Mic volume on the local computer. The button becomes the Mic On button after clicking the Mute button
16	Full Screen. Click this button to switch to full screen mode. Press the Esc key to switch back to normal mode.

Live Video Window for MJPEG Video Streams

When the video mode is set to MJPEG, the Live Video window appears as shown in [Figure 3-3](#). (Depending on the camera model and camera configuration, some buttons may not be available.)


- Video Title—The video title can be configured. For more information, see the “[Image settings](#)” section on page 5-11.
- Time—Display the current time. For more information, see the “[Image settings](#)” section on page 5-11.
- Title and Time—Video title and time can be stamped on the streaming video. For more information, see the “[Image settings](#)” section on page 5-11.
- Video Control Buttons—Depending on the camera model and camera configuration, some buttons may not be available.

[Figure 3-3](#) illustrates the live video window for MJPEG or video streams.

Figure 3-3 Live Video Window for MJPEG



1	Time. Display the current date and time. For more information, see the “Image settings” section on page 5-11 .
2	Video title. The video title can be configured. For more information, see the “Media > Image” section on page 5-8 .
3	Title and Time. Video title and time can be stamped on the streaming video. For more information, see the “Image settings” section on page 5-11 .
4	Zoom indicator.
5	Snapshot button. Click this button to capture and save still images. The captured images will be displayed in a pop-up window. Right-click the image and choose Save Picture As to save it in JPEG (*.jpg) or BMP (*.bmp) format.
6	Digital Zoom button: Click and uncheck “Disable digital zoom” to enable the zoom operation. The navigation screen indicates the part of the image being magnified. To control the zoom level, drag the slider bar. To move to a different area you want to magnify, drag the navigation screen.

7	Start MP4 Recording button. Click this button to record video clips in MP4 file format to your computer. Press the Stop MP4 Recording button  to end recording. When you exit the web browser, video recording stops accordingly. To specify the storage destination and file name, see the “MP4 Saving Options” procedure on page 4-2 .
8	Full Screen button: Click this button to switch to full screen mode. Press the Esc key to switch back to normal mode.



Client Settings

This chapter explains how to select the stream transmission mode and saving options on a local computer. When completed with the settings on the Client Settings page, click **Save** on the page bottom to enable the settings.

This chapter includes the following sections:

- [H.265/H.264 Media Options, page 4-1](#)
- [H.265/H.264 Protocol Options, page 4-1](#)
- [Two Way Audio, page 4-2](#)
- [MP4 Saving Options, page 4-2](#)
- [Local Streaming Buffer Time, page 4-2](#)
- [Joystick settings, page 4-2](#)

H.265/H.264 Media Options

Select to stream video or audio data or both. This option is enabled only when the video mode is set to H.264 or H.265.

H.265/H.264 Protocol Options

Depending on your network environment, there are four transmission modes of H.264 or H.265 streaming:


- **UDP unicast**—This protocol allows for more real-time audio and video streams. However, network packets may be lost due to network burst traffic and images may be broken. Activate UDP connection when occasions require time-sensitive responses and the video quality is less important. Note that each unicast client connecting to the server takes up additional bandwidth and the camera allows up to ten simultaneous accesses.
- **UDP multicast**—This protocol allows multicast-enabled routers to forward network packets to all clients requesting streaming media. This helps to reduce the network transmission load of the camera while serving multiple clients at the same time. Note that to utilize this feature, the camera must be configured to enable multicast streaming at the same time. For more information, see the [“RTSP Streaming” section on page 5-25](#).

- TCP—This protocol guarantees the complete delivery of streaming data and thus provides better video quality. The downside of this protocol is that its real-time effect is not as good as that of the UDP protocol.
- HTTP—This protocol allows the same quality as TCP protocol without needing to open specific ports for streaming under some network environments. Users inside a firewall can utilize this protocol to allow streaming data through.

Two Way Audio

- Half duplex—Audio is transmitted from one direction at a time, for example, from a PC holding a web console with the camera.
- Full duplex—Audio is transmitted in both directions simultaneously.

MP4 Saving Options

You can record live video as you are watching it by clicking . Start MP4 Recording on the main page. Here, you can specify the storage destination and file name.

- Folder—Specify a storage destination on your PC for the recorded video files. The location can be changed.
- File name prefix—Enter the text that will be appended to the front of the video file name. A specified folder will be automatically created on your local hard disk.
- Add date and time suffix to the file name—Select this option to append the date and time to the end of the file name. The date and time appear in the format YYYYMMDD_HHMMSS. An example files name is CLIP_20170713_180853.

Local Streaming Buffer Time

Due to the unsteady bandwidth flow, the live streaming may lag and not be very smooth. If you enable this option, the live streaming will be stored temporarily on your PC's cache memory for a few seconds before being played on the live viewing window. This will help you see the streaming more smoothly. If you enter 3,000 Millisecond, the streaming will delay for 3 seconds.

Joystick settings

Enable Joystick

Connect a joystick to a USB port on your management computer. Supported by the plug-in (Microsoft DirectX), once the plug-in for the web console is loaded, it will automatically detect if there is any joystick on the computer. The joystick should work properly without installing any other driver or software.

Then you can begin to configure the joystick settings of connected devices.

To enable joystick settings, follow these steps:

-
- Step 1** Select a detected joystick, if there are multiple, from the Selected joystick menu. If your joystick is not detected, it may be defective.
- Step 2** Click **Calibrate** or **Configure buttons** to configure the joystick-related settings.
-



Note

- If you want to assign Preset actions to your joystick, the preset locations should be configured in advance in the Configuration > PTZ page.
 - If your joystick is not working properly, it may need to be calibrated. Click the **Calibrate** button to open the Game Controllers window located in Microsoft Windows control panel and follow the instructions for trouble shooting.
 - The joystick will appear in the Game Controllers list in the Windows Control panel. If you want to check for your devices, choose **Start > Control Panel > Game Controllers**.
-

Buttons Configuration in Microsoft Windows

In the Button Configuration window, the left column shows the actions you can assign, and the right column shows the functional buttons and assigned actions. The number of buttons may differ from different joysticks.

To configure your joystick buttons, follow these steps:

-
- Step 1** Choosing one of the actions and clicking **Assign** will pop up a dialog. Then you can assign this action to a button by pressing the joystick button or selecting it from the drop-down list.
- Step 2** Click **OK** to confirm the configuration.
-

Buttons Configuration on the Camera

Click the **Configure Buttons** button and the Joystick Settings window appears.

To configure your joystick buttons, follow these steps:

-
- Step 1** Select a button number from the Button # pull-down menu.



Tip

If you are not sure of the locations of each button, use the Properties window in the Game Controllers utility.

- Step 2** Select a corresponding action, such as Patrol or Preset#.
- Step 3** Click the Assign button to assign an action to the button. You can delete an association by selecting a button number, and then click the **Delete** button.

Repeat the process until you are done with the configuration of all preferred actions.

The buttons you define should appear on the button list accordingly.

Step 4 Click the **Save** button on the Client settings page to preserve your settings.



Configuration

This chapter describes the IP camera settings options. It includes the following topics

- [Accessing the Settings Pages, page 5-2](#)
- [System > General settings, page 5-3](#)
- [System > Homepage layout, page 5-3](#)
- [System > Logs, page 5-5](#)
- [System > Parameters, page 5-6](#)
- [System > Maintenance, page 5-6](#)
- [Media > Image, page 5-8](#)
- [Media > Video, page 5-15](#)
- [Media > Audio, page 5-21](#)
- [Network > General settings, page 5-21](#)
- [Network > Streaming protocols, page 5-24](#)
- [Network > QoS \(Quality of Service\), page 5-26](#)
- [Network > SNMP \(Simple Network Management Protocol\), page 5-28](#)
- [Security > User accounts, page 5-28](#)
- [Security > HTTPS \(Hypertext Transfer Protocol over SSL\), page 5-29](#)
- [Security > Access List, page 5-30](#)
- [Security > IEEE 802.1X, page 5-32](#)
- [Security > SSH, page 5-33](#)
- [PTZ > PTZ settings, page 5-33](#)
- [Event > Event settings, page 5-34](#)
- [Applications > Motion detection, page 5-40](#)
- [Applications > Audio detection, page 5-42](#)
- [Applications > PIR, page 5-44](#)
- [Applications > Package management, page 5-44](#)
- [Recording > Recording settings, page 5-45](#)
- [Local storage > SD card management, page 5-47](#)
- [Local storage > Content management, page 5-48](#)

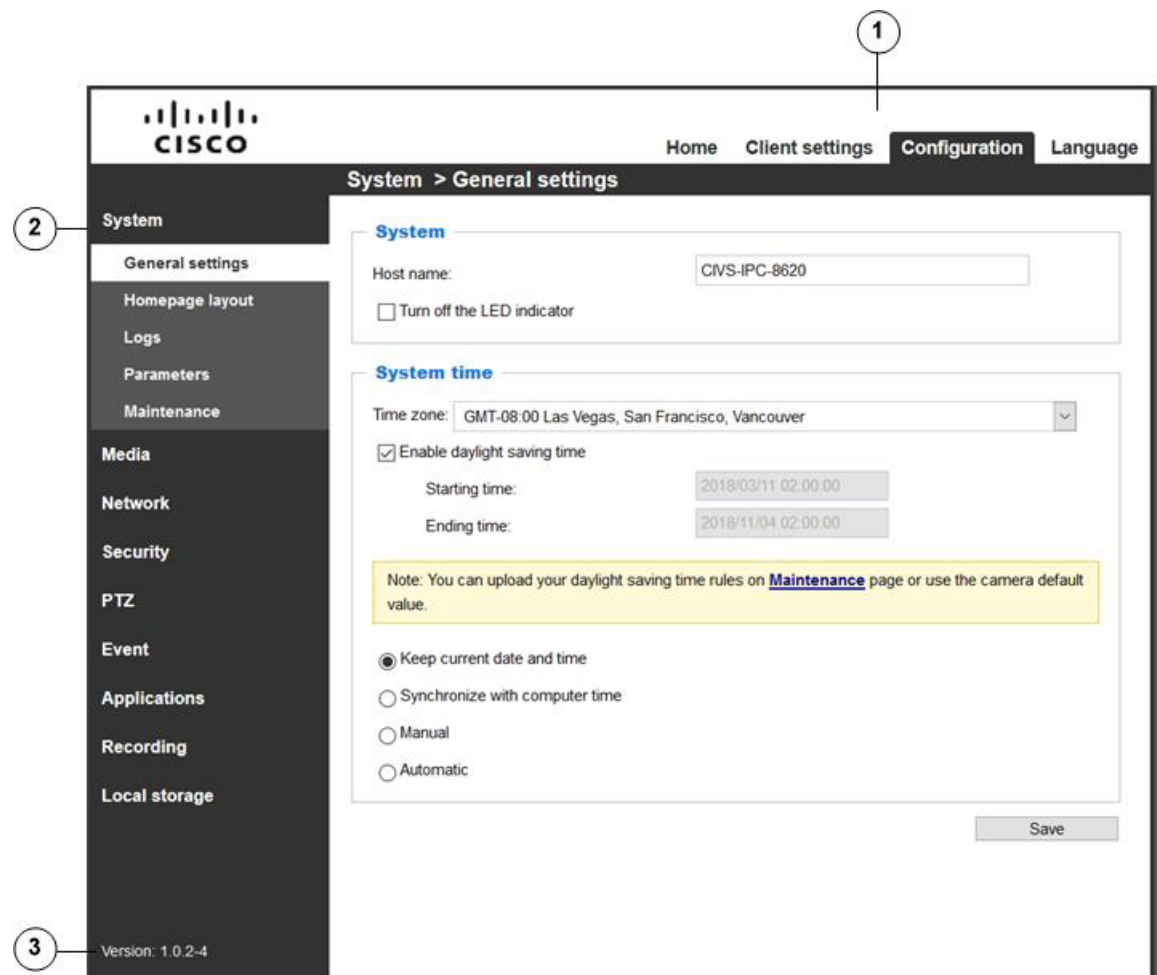
Accessing the Settings Pages

To access the settings pages, click **Configuration** on the main page. Only Administrators can access the configuration page.

The camera provides an easy-to-use user interface that helps you set up the camera with minimal effort. In order to simplify the user interface, detailed information will be hidden unless you click on the function item. When you click on the first sub-item, the detailed information for the first sub-item will be displayed; when you click on the second sub-item, the detailed information for the second sub-item will be displayed and that of the first sub-item will be hidden.

Figure 5-1 illustrates the configuration main page.

Figure 5-1 Configuration Main Page



1 Navigation area.

2 Configuration list.

3 Firmware version

Each function on the configuration list will be explained in the following sections.

The Navigation Area provides access to all different views from the Home page (for live viewing), Configuration page, and multi-language selection.

System > General settings

This section explains how to configure the basic settings for the camera, such as the host name and system time. It is composed of the following two columns: System, and System Time. When finished with the settings on this page, click **Save** at the bottom of the page to enable the settings.

- **Host name**—Enter a desired name for the camera. The text will be displayed at the top of the main page.
- **Turn off the LED indicators**—If you do not want others to notice the camera is in operation, you can select this option to turn off the LED indicators.
- **Time zone**—Select the appropriate time zone from the list. If you want to upload Daylight Saving Time rules, see the [“Import/Export files” section on page 5-7](#) for details.
- **Enable daylight saving time**—Select this options to cause the time of the camera to adjust automatically for the start and end of daylight saving time.
- **Keep current date and time**—Select this option to preserve the current date and time of the camera. The camera internal real-time clock maintains the date and time even when the power of the system is turned off.
- **Synchronize with computer time**—Select this option to synchronize the date and time of the camera with the local computer. The read-only date and time of the PC is displayed as updated.
- **Manual**—The administrator can enter the date and time manually. The date and time format are [yyyy/mm/dd] and [hh:mm:ss].
- **Automatic**—The Network Time Protocol is a protocol that synchronizes computer clocks by periodically querying an NTP Server.
 - **NTP server**—Assign the IP address or domain name of the time-server. Leaving the text box blank connects the camera to the default time servers. The precondition is that the camera must have the access to the Internet.
 - **Updating interval**—Select to update the time using the NTP server on an hourly, daily, weekly, or monthly basis.

System > Homepage layout

This section explains how to set up your own customized homepage layout.

General settings

This column shows the settings of your home page layout. You can manually select the background and font colors in Theme Options (the second tab on this page). The settings will be displayed automatically in this Preview field.

- **Logo graph**—Here you can change the logo that is placed at the top of your homepage. To to upload a new logo, follow these steps:
 1. Click **Custom** and the Browse field will appear.

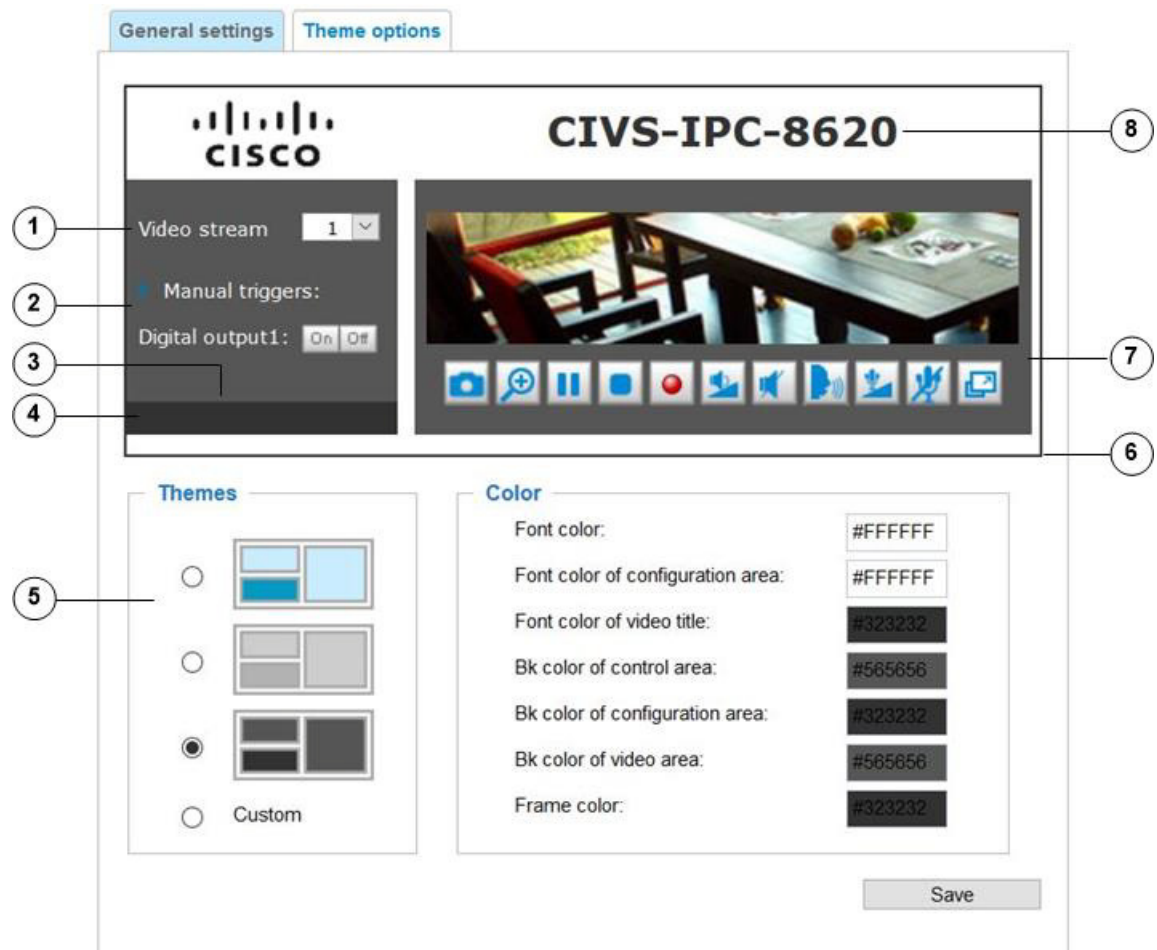
2. Select a logo from your files.
 3. Click Upload to replace the existing logo with a new one.
 4. Enter a website link if necessary.
 5. Click **Save** to enable the settings.
- Customized button—If you want to hide manual trigger buttons on the homepage, uncheck this item. This item is checked by default.

Theme Options

Here you can change the color of your homepage layout. There are three types of preset patterns for you to choose from. The new layout will simultaneously appear in the Preview filed. Click **Save** to enable the settings.

Figure 5-2 illustrates theme options.

Figure 5-2 Theme Options



1 Font color.

2	Background color of the control area.
3	Font color of the configuration area.
4	Background color of the configuration area.
5	Preset patterns.
6	Frame color.
7	Background color of the video area.
8	Font color of the video title.

To set up the custom home page, follow these steps:

-
- Step 1** Click **Custom** on the left column.
 - Step 2** Click the field where you want to change the color on the right column.
The palette window will pop up.
 - Step 3** Drag the slider bar and click on the left square to select a desired color.
The selected color will be displayed in the corresponding fields and in the Preview column.
 - Step 4** Click **Save** to enable the settings.
-

System > Logs

This section explains how to configure the camera to send the system log to a remote server as backup.

Log server settings

To set up the remote log, follow these steps:

-
- Step 1** Select **Enable remote log**.
 - Step 2** In the IP address text box, enter the IP address of the remote server.
 - Step 3** In the port text box, enter the port number of the remote server.
 - Step 4** When completed, click **Save** to enable the setting.
-

You can configure the camera to send the system log file to a remote server as a log backup. Before utilizing this feature, we suggest that you install a log-recording tool to receive system log messages from the camera. An example is Kiwi Syslog Daemon.

System log

The system log displays the system log in a chronological order. The system log is stored in the camera buffer area and will be overwritten when reaching a certain limit.

Access log

Access log displays the access time and IP address of all viewers (including operators and administrators) in a chronological order. The access log is stored in the camera buffer area and will be overwritten when reaching a certain limit.

System > Parameters

The View Parameters page lists the entire system parameters. If you need technical assistance, provide the information listed on this page.

System > Maintenance

This section explains how to restore the camera to factory default, upgrade firmware version, and so on.

General settings > Upgrade firmware

This feature allows you to upgrade the firmware of your camera. It takes a few minutes to complete the process.



Note Do not power off the camera during the upgrade.

To upgrade the firmware, follow these steps:

Step 1 Download the latest firmware file from the Cisco website at this link:
<https://software.cisco.com/download/navigator.html>.

The file is in .pkg file format.

Step 2 Click **Browse...** and locate the firmware file.

Step 3 Click **Upgrade**.

The camera starts to upgrade and will reboot automatically when the upgrade completes.

If the upgrade is successful, you will see “Reboot system now!! This connection will close”. After that, access the camera again.

The following message displays when the upgrade has succeeded:

```
Reboot system now!!
This connection will close.
```

The following message is displayed when you have selected an incorrect firmware file:

```
Starting firmware upgrade...
Do not power down the server during the upgrade.
The server will restart automatically after the upgrade is
completed.
This will take about 1 - 5 minutes.
Wrong PKG file format
Unpack fail
```

General settings > Reboot

This feature allows you to reboot the camera, which takes about 1 minute to complete. When completed, the live video page will be displayed in your browser. During the reboot process, the system displays an information message and a progress bar shows the status of the process.

If the connection fails after rebooting, manually enter the IP address of the camera in the address field to resume the connection.

General settings > Restore

This feature allows you to restore the camera to factory default settings.

- **Network**—Select this option to retain the Network Type settings (see the “[Network > General settings](#)” section on page 5-21).
- **Daylight Saving Time**—Select this option to retain the Daylight Saving Time settings (see the “[Import/Export files](#)” section on page 5-7).
- **Custom Language**—Select this option to retain the Custom Language settings.
- **VADP**—Retain the VADP modules (third-party software stored on the SD card) and related settings.
- **Focus position**—Retain the lens focus position using the previously saved position parameters.

If none of the options is selected, all settings will be restored to factory default. A status message and progress bar is displayed during the restoring process.

Import/Export files

This feature allows you to Export / Update daylight saving time rules, custom language file, configuration file, and server status report.

- **Export daylight saving time configuration file**—Click to set the start and end time of DST (Daylight Saving).

To export, follow these steps:

1. In the Export files column, click **Export** to export the daylight saving time configuration file from the camera.
2. In the File Download dialog box that pops up, click **Open** to review the XML file or click **Save** to store the file for editing.
3. Open the file with a text editor such as Microsoft Notepad and locate your time zone; set the start and end time of DST.
4. When completed, save the file.

- **Update daylight saving time rules**—Click **Browse...** and specify the XML file to update.

If the incorrect date and time are assigned, you will see a warning message when uploading the file to the camera.

The message “The file must have a .xml filename suffix” displays when attempting to upload an incorrect file format.

- **Export language file**—Click to export language strings.
- **Update custom language file**—Click **Browse...** and specify your own custom language file to upload.

- Export configuration file—Click to export all parameters for the device and user-defined scripts.
- Update configuration file—Click **Browse...** to update a configuration file. The model and firmware version of the device should be the same as the configuration file. If you have set up a fixed IP or other special settings for your device, it is not suggested to update a configuration file.
- Export server status report—Click to export the current server status report, such as time, logs, parameters, process status, memory status, file system status, network status, kernel message, and so on.

**Tip**

If a firmware upgrade is accidentally disrupted, for example, by a power outage, you still have a last resort method to restore normal operation. See the following for how to bring the camera back to work:

Applicable scenario:

- Power disconnected during firmware upgrade.
- Unknown reason causing abnormal LED status, and a Restore cannot recover normal working condition.

You can use the following methods to activate the camera with its backup firmware:

1. Press and hold down the reset button for at least 1 minute.
2. Power on the camera until the red LED blinks rapidly.
3. After boot up, the firmware should return to the previous version before the camera hung. (The procedure should take 5 to 10 minutes, longer than the normal boot-up process.) When this process is completed, the LED status should return to normal.

Media > Image

This section explains how to configure the image settings of the camera. It includes the following tabs: General settings, IR Control, Image Settings, Exposure, Focus, and Privacy mask. The Focus tab is available only for models that come with motorized lens.

General settings

Video settings

- Video title—Enter a name that will be displayed on the title bar of the live video.
- Show timestamp and video title in video and snapshots—Enter a name that will be displayed on the title bar of the live video. A zoom indicator will be displayed on the Home page when you zoom in/out on the live viewing window. You may zoom in/out on the image by scrolling the mouse wheel inside the live viewing window, and the maximum zoom in will be up to 4 times.
- Position of timestamp and video title on image—Select to display time stamp and video title on the top or at the bottom of the video stream.
- Timestamp and video title font size—Select the font size for the time stamp and title.
- Video font (.ttf)—You can select a True Type font file for the display of textual messages on video.
- Mount type—Select the way in which the camera is mounted: **Ceiling**, **Wall**, or **Floor**.
- Color—Select to display color or black/white video streams.

- Power line frequency—Set the power line frequency consistent with local utility settings to eliminate image flickering associated with fluorescent lights. After the power line frequency is changed, you must disconnect and reconnect the power cord of the camera for the new setting to take effect.
- Video orientation:
 - Flip—Vertically reflect the display of the live video
 - Mirror—Horizontally reflect the display of the live video. Select both options if the camera is installed upside-down (for example, on the ceiling) to correct the image orientation. If you have preset locations, those locations will be cleared after flip/mirror setting.
 - Rotate—Indicates clockwise rotation. Rotation can be applied with flip, mirror, and physical lens rotation settings to adapt to different mounting locations.

The camera may be installed on a vertical, side-facing, or tilted surface in order to accommodate the interior or exterior design of a building. The interior of a building can be shaped as a narrow rectangular space, such as corridor. The conventional HD image, such as that of a 16:9 aspect ratio, will be incongruous with its wide horizontal view. With video rotation, the camera can more readily cover the field of view on a tall and narrow scene.

Day/Night settings

- Switch to B/W in night mode—Select this to enable the camera to automatically switch to Black/White during night mode.
- IR cut filter—With a removable IR-cut filter, this camera can automatically remove the filter to let IR light enter the light sensor during low light conditions.
 - Auto mode—The camera automatically removes the filter by judging the level of ambient light. The Day/Night Exposure Profile will not be available if Auto mode is selected.
 - Day mode—The camera switches on the IR cut filter at all times to block infrared light from reaching the sensor so that the colors will not be distorted.
 - Night mode—The camera switches off the IR cut filter at all times for the sensor to accept infrared light, thus helping to improve low light sensitivity.
 - Synchronize with digital input—The camera automatically removes the IR cut filter when a digital input is triggered.
 - Schedule mode—The camera switches between day mode and night mode based on a specified schedule. Enter the start and end time for day mode. Note that the time format is [hh:mm] and is expressed in 24-hour clock time. By default, the start and end time of a day mode are set to 07:00 and 18:00.
- Light sensor sensitivity—Tune the responsiveness of the IR filter to lighting conditions as Low, Normal, or High.

When completed with the settings on this page, click **Save** to enable the settings.

IR Control

- Turn on built-in IR illuminator in night mode—Select this to turn on the camera onboard IR illuminator when the camera detects low light condition and enters the night mode.
- Turn on external IR illuminator in night mode—Select this to turn on the external IR illuminator when the camera detects low light condition and enters the night mode. A Digital Output connection to external IR is needed.

- Smart IR:
 - Anti-overexposure—When enabled, the camera automatically adjusts the IR projection to adjacent objects in order to avoid over-exposure in the night mode.

The Smart IR function is more beneficial when the spot of intrusions or an object of your interest is close to the lens and the IR lights. For example, if an intruder has a chance of getting near the range of 3 meters, Smart IR can effectively reduce the over-exposure. For a surveillance area at a greater distance, for example, 5 meters or farther away, the Smart IR function may not bring as significant benefits as in close range.

The following figure shows these examples:

1—Smart IR disabled; distance: 5M

2—Smart IR enabled; distance: 5M

3—Smart IR disabled; distance: 3M

4—Smart IR enabled; distance: 3M

1**2****3****4**

**Tip**

If there is an object in close proximity, the IR lights reflected back from it can mislead the Smart IR calculation of light level. To solve this problem, you can place an Exposure Exclude window on an unavoidable object in the Exposure setting window. See the “[Exposure](#)” section on [page 5-12](#).

You can also configure the Exposure Exclude window in a night mode Profile setting so that your day time setting is not affected.

Image settings

On this page, you can make various image adjustments.

Normal light mode is for normal situations and Profile mode is for special situations.

- Enable to apply these settings at—Appears on the **Profile mode** tab only. Select the mode this profile is to apply to: Day mode or Schedule mode. Manually enter a range of time if you choose Schedule mode.
- White balance—Adjust the value for the best color temperature.

To adjust the white balance to the best color temperature, follow these steps:

1. Place a sheet of paper of white or cooler-color temperature color, such as blue, in front of the lens, then allow the camera to automatically adjust the color temperature.
2. Click the On button to **Fix current value** and confirm the setting while the white balance is being measured.

You may also manually tune the color temperature by pulling the RGain and BGain slide bars.

- Image Adjustment:
 - Brightness—Adjust the image brightness level, which ranges from 0% to 100%.
 - Contrast—Adjust the image contrast level, which ranges from 0% to 100%.
 - Saturation—Adjust the image saturation level, which ranges from 0% to 100%.
 - Sharpness—Adjust the image sharpness level, which ranges from 0% to 100%.
 - Gamma curve—This option is disabled when the WDR function is enabled. Adjust the image sharpness level, which ranges from 0.45 to 1, from Detailed to Contrast. You may let firmware Optimize your display or select the Manual mode, and pull the slide bar pointer to change the preferred level of Gamma correction towards higher contrast or towards the higher luminance for detailed expression for both dark and lighted areas of an image.
- Defog—Defog helps improve the visibility quality of captured image in poor weather conditions such as smog, fog, or smoke.
- 3d Noise reduction—Adjust the 3D noise reduction strength, which ranges from Low to High. This applies to the onboard 3D Noise Reduction feature. Use the slider to adjust the reduction strength. Applying this function to the video channel will consume system computing power. 3D Noise Reduction is mostly applied in low-light conditions. When enabled in a low-light condition with fast moving objects, trails of after-images may occur. You may then select a lower strength level or disable the function.
- Enable digital image stabilizer—If you experience problems such as vibration on a pole mount, try enable the image stabilizer

You can click **Restore** to recall the original settings without incorporating the changes. When completed with the settings on this page, click **Save** to enable the setting. You can also click **Profile mode** to adjust the settings described above in a tabbed window for special lighting conditions.

Exposure

On this page, you can configure the Exposure measurement window, Exposure level, Exposure mode, Exposure time, Gain control, and Day/Night mode settings. You can configure two sets of Exposure settings: on the **Normal light mode** tab for normal situations, or on the **Profile mode** for special situations, such as the day/night/ schedule mode.

Normal light mode

- Measurement Window—This function allows you to set measurement window(s) for low light compensation. For example, where low-light objects are posed against an extremely bright background. You may want to exclude the bright sunlight shining through a building's corridor.
 - Full view—Calculate the full range of view and offer appropriate light compensation.
 - Custom—This option allows you to manually add customized windows as inclusive or exclusive regions. A total of 10 windows can be configured.

The inclusive window refers to the “weighed window”; the exclusive window refers to “ignored window.” It adopts the weighed averages method to calculate the value. The inclusive windows have a higher priority. You can overlap these windows, and, if you place an exclusive window within a larger inclusive window, the exclusive part of the overlapped windows will be deducted from the inclusive window. An exposure value will then be calculated out of the remaining of the inclusive window.
 - BLC (Back Light Compensation): This option will automatically add a “weighted region” in the middle of the window and give the necessary light compensation.
 - HLC (Highlight Compensation)—Firmware detects strong light sources and compensates on affected spots to enhance the overall image quality. For example, the HLC helps reduce the glares produced by spotlights or headlights.
- Exposure control:
 - Exposure level—You can manually set the Exposure level, which ranges from -2.0 to $+2.0$ (dark to bright). You can click and drag the semi-circular pointers on the Exposure time and Gain control slide bars to specify a range of shutter time and Gain control values within which the camera can automatically tune to an optimal imaging result. You may prefer a shorter shutter time to better capture moving objects, while a faster shutter reduces light and needs to be compensated by electrical brightness gains.
 - Exposure mode—You can click and drag the semi-circular pointers on the Exposure time and Gain control slide bars to specify a range of shutter time and Gain control values within which the camera can automatically tune to an optimal imaging result. You can also configure the iris size to control the amount of light. For example, you may prefer a shorter shutter time to better capture moving objects, while a faster shutter reduces light and needs to be compensated by electrical brightness gains.
 - Auto—If you set Exposure mode as Auto, the Exposure time and Gain control will not be configurable because the sensor library will automatically adjust the value according to the ambient light. Then you can configure iris mode as “indoor” or “outdoor” to reach the best image quality.

- Iris mode—Select Indoor or Outdoor iris mode to adapt to the installation. The preset iris aperture setting will apply.
- AE Speed Adjustment:
 - Enable AE speed adjustment—This function applies when you need to monitor fast changing lighting conditions. For example, the camera may need to monitor a highway lane or entrance of a parking area at night where cars passing by with their lights on can bring fast changes in light levels. The same applies if the camera is installed on a vehicle, and when it needs to adapt to fast changes of light when entering and leaving a tunnel.
- WDR:
 - Enable WDR Pro—Refers to the Wide Dynamic Range function that enables the camera to capture details in a high contrast environment. Use the check box to enable the function.
 - Enable WDR enhanced—This function allows users to identify more image details with an extreme contrast from an object of interest with one shadowed side against a bright background, for example, an entrance. You may select the Enable WDR enhanced check box, and then use the slide bar to adjust the strength from low to high to reach the best image quality.

You can click **Restore** to recall the original settings without incorporating the changes. When completed with the settings on this page, click **Save** to enable the settings.

If you want to configure another sensor setting for day/night/schedule mode, click **Profile mode** to open the Profile of exposure settings page.

Profile mode

To set up a profile, follow these steps:

-
- Step 1** Select the Profile mode tab.
 - Step 2** Select the applicable mode: **Night mode** or **Schedule mode**. Manually enter a range of time if you choose the Schedule mode. These options appear only if you first enable **Enable to apply these settings at**.
 - Step 3** Configure other settings in the tab. See the previous discussions for detailed information.
 - Step 4** Click **Save** to enable the setting and click **Close** to exit the page.
-

Focus

Focus here refers to the Remote Focus, applicable to cameras that are equipped with a stepping motor lens. The automated focus adjustment function eliminates the needs to physically adjust camera focus. In an outdoor deployment consisting of a large number of cameras, the auto focus function can be helpful when these cameras become out of focus after days or weeks of operation. And that can easily result from the effects of natural forces, for example, shrink and expand due to a wide range of operating temperatures and the vibration caused by wind.

Auto Focus

To perform the automated Focus function, follow these steps:

-
- Step 1** Select from the bottom of the screen whether you want to perform focus adjustment on the Full view or within a Custom focus window.
- You can create a custom window and click and drag the window to a desired position on screen.
- Step 2** It is recommended to Reset to the default back focus position of the sensor board.
- Step 3** You can use the Open iris check box (default) to increase the iris size for a better focus adjustment result.
- Step 4** Click to select the Fully-opened iris or the Full-range scan buttons.
- When a full-range scan is selected, a full-range scan through the camera's entire focal length can take about 30 to 80 seconds. If not, the auto focus scan will only go through the length where optimal focus may occur, and that takes about 15 to 20 seconds. In theory, best results of the auto scan can be acquired when the camera's iris is fully open.
- Step 5** Wait for the scan to complete.
- After a short while, the clearest image obtained should be displayed and the optimal focus range achieved. Use the arrow marks on the sides to fine-tune the focus if you are not satisfied with the results. You may still need to use the arrow marks to fine-tune the focus depending on the live image on your screen. “>” means moving from wide to tele end; and “<” tele to wide.
-

The methodology of using the Resize Buttons at the upper left corner of the streaming window is the same as that on the home page.

Focus window

By default, the optimal focus is found on a full view window. You may designate a custom window within your current field of view to acquire the best focus out of it. However, you can not place a focus window on a distant background, for example, a hallway that stretches away for 3 meters or farther. Doing so you will not benefit from the Focus window function.

- Full view—The focus tuning takes place by referring to the full view.
- Custom—You can create a focus window and drag it to a place of interest in your view window. It is recommended to use this function only when you have a solid object in your view window that is showing a consistent color or texture.

This function will not take effect if you set the focus window on a distant background.

Privacy Mask

Click **Privacy Mask** to open the settings page. On this page, you can block out sensitive zones to address privacy concerns.

To set the privacy mask windows, follow these steps:

-
- Step 1** Click **New** to add a new window.
- Step 2** You can use four mouse clicks to create a new masking window, which is recommended to be at least twice the size of the object (height and width) you want to cover.
- Step 3** Enter a Window Name and click **Save** to enable the setting.

Step 4 Click the **Enable privacy mask** check box to enable this function.

Up to five privacy mask windows can be configured on the same screen.

If you want to delete the privacy mask window, click the **x** mark on the side of window name.

Media > Video

Stream settings

The camera supports multiple streams with frame sizes ranging from 480 x 272 to 1920 x 1080 pixels.

- Stream 1—You can define the “Region of Interest” (viewing region) and the “Output Frame Size” (size of the live view window)
- Stream 2—The default frame size for Stream 2 is set to the 1280 x 720
- Stream 3—The default frame size for Stream 3 is set to the 640 x 360
- Stream 4—The default frame size for Stream 3 is set to the 1920 x 1080

Click **Viewing Window** to open the viewing region settings page. On this page, you can configure the Region of Interest and the Output Frame Size for a video stream. For example, you can crop only a portion of the image that is of your interest, and thus save the bandwidth needed to transmit the video stream.

To set up those settings for a stream, follow these steps:

1. Select a stream for which you want to set up the viewing region.
1. Select a Region of Interest from the drop-down list. The floating frame, the same as the one in the Global View window on the home page, will resize accordingly. If you want to set up a customized viewing region, you can also resize and drag the floating frame to a desired position with your mouse.
2. Choose a proper Output Frame Size from the drop-down list according to the size of your monitoring device.



Note

All the items in the “Region of Interest” should not be larger than the “Output Frame Size” (current maximum resolution).

- The parameters of the multiple streams are as follows:

	Region of Interest	Output frame size
Stream 1	1920 x 1080 ~ 640 x 480 (Selectable)	1920 x 1080 ~ 640 x 480 (Selectable)
Stream 2		
Stream 3		
Stream 4	Fixed	Fixed

When completed with the settings in the Viewing Window, click Save to enable the settings and click Close to exit the window. The selected Output Frame Size will immediately be applied to the Frame size of each video stream. Then you can go back to the home page to test the digital PTZ function. For more information about the digital PTZ function, see the “PTZ > PTZ settings” section on page 5-33.

Click the stream item to display the detailed information. The maximum frame size will follow your settings in the above Viewing Window sections.

This camera offers real-time H.265, H.264, and MJPEG compression standards (Triple Codec) for real-time viewing. If the H.264 or H.265 mode is selected, the video is streamed via the RTSP protocol. There are several parameters through which you can adjust the video performance:

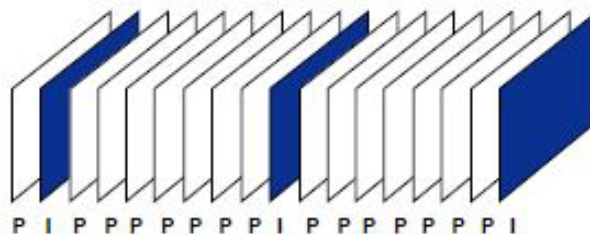
- **Frame size**—You can set up different video resolutions for different viewing devices. For example, set a smaller frame size and lower bit rate for remote viewing on mobile phones and a larger video size and a higher bit rate for live viewing on web browsers, or recording the stream to an NVR. A larger frame size takes up more bandwidth.
- **Maximum frame rate**—Limits the maximum refresh frame rate per second. Configure the frame rate higher for smoother video viewing and for recognizing moving objects in the field of view. If the power line frequency is set to 50Hz, the frame rates are selectable at 1fps, 2fps, 3fps, 5fps, 8fps, 10fps, 12fps, 15fps, and up to 50fps. If the power line frequency is set to 60Hz, the frame rates are selectable at 1fps, 2fps, 3fps, 5fps, 8fps, 10fps, 12fps, 15fps, and up to 60fps. You can also select Customize and manually enter a value.

The frame rate will decrease if you select a higher resolution.

- **Intra frame period**—Determine how often for firmware to plant an I frame. The shorter the duration, the more likely you will get better video quality, but at the cost of higher network bandwidth consumption. Select the intra frame period from the following durations: 1/4 second, 1/2 second, 1 second, 2 seconds, 3 seconds, and 4 seconds.
- **Smart Stream III**
 - **Dynamic Intra frame period**—High quality motion codecs, such as H.265, utilize the redundancies between video frames to deliver video streams at a balance of quality and bit rate.

The encoding parameters are summarized and illustrated in Figure 5-3. The I-frames are completely self-referential and they are largest in size. The P-frames are predicted frames. The encoder refers to the previous I- or P-frames for redundant image information.

Figure 5-3 H.264/H.265 Frame Types



By dynamically prolonging the intervals for I-frames insertion to up to 10 seconds, the bit rates required for streaming a video can be tremendously reduced. When streaming a video of a static scene, the Dynamic Intra frame feature can save up to 53% of bandwidth. The amount of bandwidth thus saved is also determined by the activities in the field of view. If activities occur

in the scene, firmware automatically shortens the I-frame insertion intervals in order to maintain image quality. In the low light or night conditions, the sizes of P-frames tend to be enlarged due to the noises, and hence the bandwidth saving effect is also reduced.

Streaming a typical 2MP scene normally requires 3~4Mb/s of bandwidth. With the Dynamic Intra frame function, the bandwidth for streaming a medium-traffic scene can be reduced to 2~3Mb/s, and during the no-traffic period of time, down to 500kb/s.

Figure 5-4 shows dynamic intra frame with static scenes. Figure 5-5 dynamic intra frame shows activities in scenes

Figure 5-4 *Dynamic Intra Frame with Static Scenes*

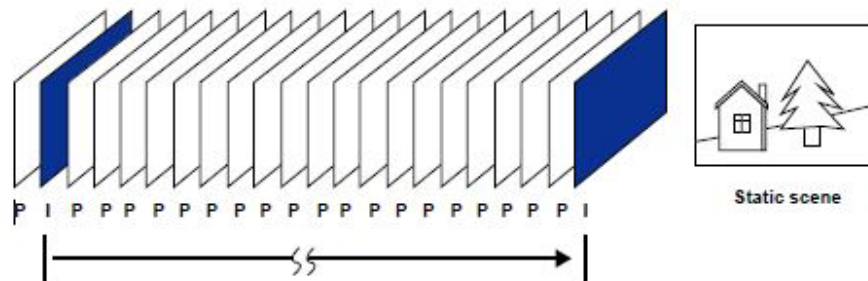
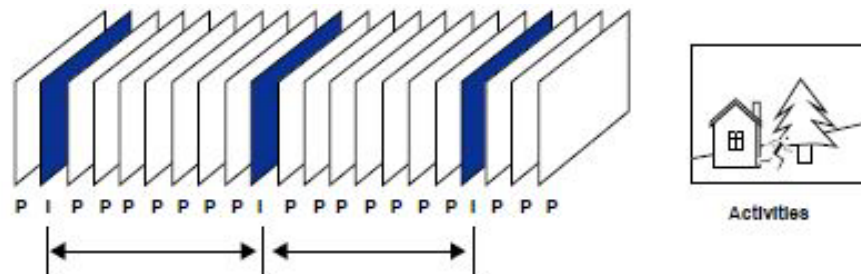


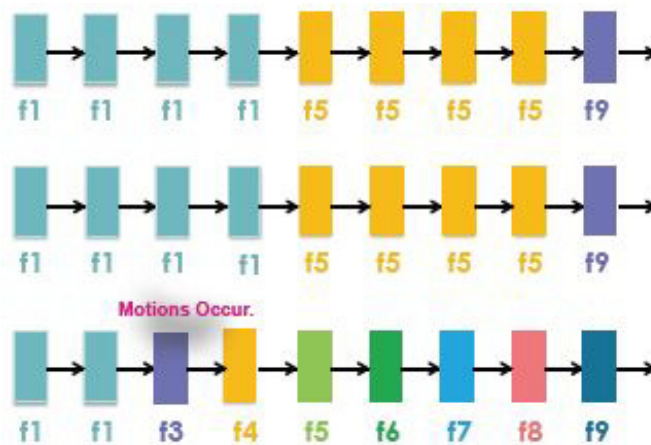
Figure 5-5 *Dynamic Intra Frame with Activities in Scenes*



With the H.265 codec in an optimal scenario and when Dynamic Intra frame is combined with the Smart Stream function, an 80% of bandwidth saving can be achieved compared with using H.264 without enabling these bandwidth-saving features.

- Smart FPS—In a static scene, the algorithm re-encodes old frames when no motions occur in scene. When motions occur, the encoding returns to normal to deliver real-time streaming.

Figure 5-6 Smart FPS



By queuing and re-encoding the old frames from a static scene, both the computing efforts and the size of P frames are reduced. It is beneficial for keeping up with the frame rate requirements.

A default frame difference threshold, 2%, is embedded in firmware for returning from Smart FPS to normal encoding when motions occur.



Note Compared with Smart Stream II, Smart Stream III has two more configurable options: Smart Q, and Smart FPS

- Smart codec—Smart codec effectively reduces the quality of the whole or the non-interested areas on a screen and therefore reduces the bandwidth consumed.

You can manually specify the video quality for the foreground and the background areas.

Select an operation mode if Smart codec is preferred:

- Auto tracking—The Auto mode configures the whole screen into the non-interested area. The video quality of part of the screen returns to normal when one or more objects move in that area. The remainder of the screen where there are no moving objects (no pixel changes) will still be transmitted in low-quality format.

-Manual—The Manual mode allows you to configure 3 ROI windows (Region of Interest, with Foreground quality) on the screen. Areas not included in any ROI windows will be considered as the non-interested areas. The details in the ROI areas will be transmitted in a higher-quality video format.

As shown in [Figure 5-7](#), the upper screen may contain little details of your interest, while the sidewalk on the lower screen is included in an ROI window.

As the result, the lower screen is constantly displayed in high details, while the upper half is transmitted using a lower-quality format. Although the upper half is transmitted using a lower quality format, you still have an awareness of what is happening on the whole screen.

Figure 5-7 ROI Window



- Hybrid—The major difference between the “Manual” mode and the “Hybrid” mode is that in the “Hybrid” mode, any objects entering the non-interested area will restore the video quality of the moving objects and the area around them. The video quality of the associated non-interested area is immediately restored to normal to cover the moving objects. In the “Manual” mode, the non-interested area is always transmitted using a low quality format regardless of the activities inside.

- Quality priority—Use the slide bar to tune the quality contrast between the ROI and non-interested areas.

The farther the slide bar button is to the right, the higher the image quality of the ROI areas. The farther the slide bar button to the left, the higher the image quality of the non-interested area.

In this way, you may set up an ROI window as a privacy mask by covering a protected area using an ROI window, while the remaining screen become the non-interested area. You may then configure the non-interested area to have a high image quality, or vice versa.

You should also select the Maximum bit rate from the pull-down menu as the threshold to contain the bandwidth consumption for both the high- and low-quality video sections in a smart stream.

- Bit rate control—Constrained bit rate:

A complex scene generally produces a larger file size, meaning that higher bandwidth will be needed for data transmission. The bandwidth utilization is configurable to match a selected level, resulting in mutable video quality performance. The bit rates are selectable at the following rates: 20Kbps, 30Kbps, 40Kbps, 50Kbps, 64Kbps, 128Kbps, 256Kbps, 512Kbps, 768Kbps, 1Mbps, 2Mbps, 3Mbps, 4Mbps, 6Mbps, 8Mbps, 10Mbps, 12Mbps, 14Mbps, ~ to 40Mbps. You can also select Customize and manually enter a value up to 40Mbps.

- Target quality—Select a desired quality ranging from Medium to Excellent.
- Maximum bit rate—select a bit rate from the pull-down menu. The bit rate ranges from 20kbps to a maximum of 40Mbps. The bit rate then becomes the Average or Upper bound bit rate number. The camera will strive to deliver video streams around or within the bit rate limitation you impose.

- Policy—If Frame Rate Priority is selected, the camera will try to maintain the frame rate per second performance, while the image quality will be compromised. If Image quality priority is selected, the camera may drop some video frames in order to maintain image quality.
- Smart Q—Select ON or OFF to enable or disable the feature. Smart Q is scene-aware. The Smart Q reduces frame size and bit rate consumption through the following:
 - Dynamically adjusting the image quality for scenes in different luminosities, and hence reduces the occurrence of noises in low light frames. Less noises means less of the bandwidth consumed.
 - Endorsing different qualities for the I frames and P frames, and hence reduces the frame size. The higher the quality of the I frame, the larger the GOP (Group of Pictures). More block skips will occur and more P frames will be included in the GOP, and therefore the bit rate consumption is reduced.
 - Dividing a single frame into different sections, and giving these sections different quality values. For example, a highly complex image section (high frequency area), such as an area with dense vegetation, screen windows, or repeated patterns (wall paper), can be given a lower quality value. For a highly complex area, having a lower quality value actually poses little effects on human eyes.

High quality is unnecessary in no motion area, especially in low light, high noises, and high frequency scenes. Unnecessary quality is unrecognized by human eyes and wastes the bit rate. The quality areas in a scene are determined by the SoC encoder.

The Smart Q streaming can save up to 50% to 80% of bandwidth in different illumination conditions while keeping the same imaging quality. These numbers come from the comparison between Smart Stream II and Smart Stream III streaming.

- Bit rate control—Fixed quality:

If Fixed quality is selected, all frames are transmitted with the same quality; bandwidth utilization is therefore unpredictable.

- Quality—The video quality can be adjusted to the following settings: Medium, Standard, Good, Detailed, and Excellent. You can also select Customize and manually enter a value.
- Maximum bit rate—With the guaranteed image quality, you might still want to place a bit rate limitation to control the size of video streams for bandwidth and storage concerns. The configurable bit rate starts from 1Mbps to 40Mbps.

The Maximum bit rate setting in the Fixed quality configuration can ensure a reasonable and limited use of network bandwidth. For example, in low light conditions where a Fixed quality setting is applied, video packet sizes can tremendously increase when noises are produced with electrical gains.

If JPEG mode is selected, the camera sends consecutive JPEG images to the client, producing a moving effect similar to a filmstrip. Every single JPEG image transmitted guarantees the same image quality, which in turn comes at the expense of variable bandwidth usage. Because the media contents are a combination of JPEG images, no audio data is transmitted to the client. There are three parameters provided in MJPEG mode to control the video performance:

- Frame size—You can set up different video resolution for different viewing devices. For example, set a smaller frame size and lower bit rate for remote viewing on mobile phones and a larger video size and a higher bit rate for live viewing on web browsers. Note that a larger frame size takes up more bandwidth.
- Maximum frame rate—Limits the maximum refresh frame rate per second. Set the frame rate higher for smoother video quality. If the power line frequency is set to 50Hz (at the 5MP resolution), the frame rates are selectable at 1fps, 2fps, 3fps, 5fps, 8fps, 10fps, and up to 25fps.

If the power line frequency is set to 60Hz, the frame rates are selectable at 1fps, 2fps, 3fps, 5fps, 8fps, 10fps, and up to 30fps. You can also select Customize and manually enter a value. The frame rate will decrease if you select a higher resolution.

- Video quality—Refer to the previous page setting for an average or upper bound threshold for controlling the bandwidth consumed for transmitting motion jpegs. The configuration method is identical to that for H.264/5.

For Constant Bit Rate and other settings, see the explanations earlier in this section.



Note Video quality and fixed quality refers to the compression rate, so a lower compression rate value will produce higher quality.

Converting high-quality video may significantly increase the CPU loading, and you may encounter streaming disconnection or video loss while capturing a complicated scene. In the event of occurrence, we suggest you customize a lower video resolution or reduce the frame rate to obtain smooth video.

Media > Audio

- Mute—Select this option to disable audio transmission from the camera to all clients. If muted, no audio data will be transmitted even if audio transmission is enabled on the Client Settings page. In that case, this message is displayed: “The media type has been changed to video only because the media from server contains no audio.”
- Microphone source—If an external microphone is selected, you can select the audio input as the external microphone.
- Internal microphone input gain—Select the gain of the internal audio input according to ambient conditions. Adjust the gain from 0% to 100%.
- External microphone input gain—Select the gain of the external audio input according to ambient conditions. Adjust the gain from 0 to 100%.
- Audio type—Select audio codec and the sampling bit rate.
 - G.711 also provides good sound quality and requires about 64Kbps. Select pcmu (u-Law) or pcma (A-Law) mode.
 - G.726 is a speech codec standard covering voice transmission at rates of 16, 24, 32, and 40kbit/s.

When completed with the settings on this page, click **Save** to enable the settings.

Network > General settings

This section explains how to configure a wired network connection for the camera.

Network Type Tab

- LAN—Select this option when the camera is deployed on a local area network (LAN) and is intended to be accessed by local computers. The default setting for the Network Type is LAN. Remember to click on the **Save** button when you complete the Network setting.
 - Get IP address automatically—Select this option to obtain an available dynamic IP address assigned by the DHCP server each time the camera is connected to the LAN.
 - Use fixed IP address—Select this option to manually assign a static IP address to the camera. Enter the Static IP, Subnet mask, Default router, and Primary DNS provided by your ISP or network administrator.
 - IP address—Static IP address of the camera.
 - Subnet mask—This is used to determine if the destination is in the same subnet. The default value is “255.255.255.0”.
 - Default router—This is the gateway used to forward frames to destinations in a different subnet. Invalid router setting will disable the transmission to destinations across different subnets.
 - Primary DNS—The primary domain name server that translates host names into IP addresses.
 - Secondary DNS—Secondary domain name server that backups the Primary DNS.
 - Primary WINS server—The primary WINS server that maintains the database of computer names and IP addresses.
 - Secondary WINS server—The secondary WINS server that maintains the database of computer names and IP addresses.
 - Enable UPnP presentation—Select this option to enable UPnP presentation for your camera so that whenever a camera is presented to the LAN, the shortcuts to connected cameras will be listed in My Network Places. You can click the shortcut to link to the web browser. Currently, UPnP is supported by Windows XP or later. To utilize this feature, make sure the UPnP component is installed on your computer.
 - Enable UPnP port forwarding—To access the camera from the Internet, select this option to allow the camera to open ports automatically on the router so that video streams can be sent out from a LAN. To utilize of this feature, make sure that your router supports UPnP and it is activated.
- PPPoE (Point-to-point over Ethernet)—Select this option to configure your camera to make it accessible from anywhere as long as there is an Internet connection. To utilize this feature, it requires an account provided by your ISP.

To acquire your camera’s public IP address, follow these steps:

1. Set up the camera on the LAN.
2. Go to **Configuration > Event > Event settings > Add server** (see the “Add server” section on page 5-36) to add a new email or FTP server.
3. Go to **Configuration > Event > Event settings > Add media** (see the “Add media” section on page 5-38).

Select System log so that you will receive the system log in TXT file format that contains the camera public IP address in your email or on the FTP server.

4. Go to **Configuration > Network > General settings > Network type**. Select **PPPoE** and enter the user name and password provided by your ISP. Click **Save** to enable the setting.

The camera will reboot.

5. Disconnect the power to the camera; remove it from the LAN environment.

If the default ports are already used by other devices connected to the same router, the camera will select other ports for the camera.

If UPnP is not supported by your router, you will see the following message: “Error: Router does not support UPnP port forwarding.”

To enable the UPnP user interface on your computer, follow these steps (you must log on to the computer as a system administrator to install the UPn components):

1. From the Start menu, click **Control Panel**, then click **Add or Remove Programs**.
2. In the Add or Remove Programs dialog box, click **Add/Remove Windows Components**.
3. In the Windows Components Wizard dialog box, select Networking Services and click **Details**.
4. In the Networking Services dialog box, select **Universal Plug and Play** and click **OK**.
5. Click **Next** in the following window
6. Click **Finish**. UPnP is enabled.

UPnP networking technology provides automatic IP configuration and dynamic discovery of devices added to a network. Services and capabilities offered by networked devices, such as printing and file sharing, are available among each other without the need for cumbersome network configuration. In the case of cameras, you will see camera shortcuts under My Network Places.

Enabling UPnP port forwarding allows the camera to open a secondary HTTP port on the router—not HTTP port—meaning that you have to add the secondary HTTP port number to the camera’s public address in order to access the camera from the Internet. For example, when the HTTP port is set to 80 and the secondary HTTP port is set to 8080, the following table shows the camera’s IP address

From the Internet	In LAN
http://203.67.124.123:8080	http://192.168.4.160 or http://192.168.4.160:8080

If the PPPoE settings are incorrectly configured or the Internet access is not working, restore the camera to factory default; see the “[General settings > Restore](#)” section on page 5-7 for details. After the camera is reset to factory default, it will be accessible on the LAN.

- Enable IPv6—Select this option and click **Save** to enable IPv6 settings. This only works if your network environment and hardware equipment support IPv6. The browser should be Microsoft Internet Explorer 6.5, Mozilla Firefox 3.0 or above.

When IPv6 is enabled, by default, the camera will listen to router advertisements and be assigned with a link-local IPv6 address accordingly.

- IPv6 Information—Click this button to obtain the IPv6 information. If your IPv6 settings are successful, the IPv6 address list will be listed in the pop-up window.

To link to an IPv6 address, follow these steps:

1. Open your web browser.
2. Enter the link-global or link-local IPv6 address in the address bar of your web browser.
3. Press **Enter** on the keyboard or click **Refresh** button to refresh the web page.

If you have a secondary HTTP port (the default value is 8080), you can also link to the web page using the following address format (see the “[HTTP streaming](#)” section on page 5-24 for detailed information):

```
http://[2001:0c08:2500:0002:0202:d1ff:fe04:65f4]:8080
```

If you choose PPPoE as the Network Type, the [PPP0 address] will be displayed in the IPv6 information column.

- Manually setup the IP address: Select this option to manually set up IPv6 settings if your network environment does not have DHCPv6 server and router advertisements-enabled routers. If you check this item, the following blanks will be displayed for you to enter the corresponding information:
 - Optional IP address / Prefix length
 - Optional Default Router
 - Optional primary DNS

Network > Streaming protocols

HTTP streaming

To utilize HTTP authentication, make sure that you have set a password for the camera first; see the “[Security > User accounts](#)” section on page 5-28 for details.

- Authentication—Depending on your network security requirements, the camera provides two types of security settings for an HTTP transaction: basic and digest. If basic authentication is selected, the password is sent in plain text format and there can be potential risks of it being intercepted. If digest authentication is selected, user credentials are encrypted using MD5 algorithm and thus provide better protection against unauthorized accesses.
- HTTP port / Secondary HTTP port—By default, the HTTP port is set to 80 and the secondary HTTP port is set to 8080. They can also be assigned to another port number between 1025 and 65535. If the ports are incorrectly assigned, warning messages will be displayed.

To access the camera on the LAN, both the HTTP port and secondary HTTP port can be used to access the camera. For example, when the HTTP port is set to 80 and the secondary HTTP port is set to 8080, the camera IP address on the LAN is `http://192.168.4.160` or `http://192.168.4.160:8080`.

- Access name for stream 1 ~ 4—This camera supports multiple streams simultaneously. The access name is used to identify different video streams. You can click **Media > Video > Stream settings** to set up the video quality of linked streams. For more information about how to set up the video quality, see the “[Stream settings](#)” section on page 5-15.

When using Mozilla Firefox to access the camera and the video mode is set to JPEG, you will receive video composed of continuous JPEG images. This technology, known as “server push,” allows the camera to feed live pictures to Mozilla Firefox.

URL command: `http://ip address:http port/access name for stream 1, 2, 3, 4`

For example, when the Access name for stream 2 is set to `video2.mjpg`:

1. Launch Mozilla Firefox or Netscape.
2. Type the above URL command in the address bar. Press **Enter**.
3. The JPEG images will be displayed in your web browser.

**Note**

Microsoft Internet Explorer does not support server push technology; therefore, you will not be able to access a video stream using `http://ip address:http port/access name for stream 1, 2, 3, 4`.

RTSP Streaming

To utilize RTSP streaming authentication, make sure that you have set a password for controlling the access to video stream first. See the “[Security > User accounts](#)” section on page 5-28 for details.

- **Authentication**—Depending on your network security requirements, the camera provides three types of security settings for streaming via RTSP protocol: disable, basic, and digest. If basic authentication is selected, the password is sent in plain text format, but there can be potential risks of it being intercepted. If digest authentication is selected, user credentials are encrypted using MD5 algorithm, thus providing better protection against unauthorized access.
- **Access name for stream 1 ~ 4**—This camera supports multiple streams simultaneously. The access name is used to differentiate the streaming source. If you want to use an RTSP player to access the camera, you have to set the video mode to H.264 or H.265 and use the following RTSP URL command to request transmission of the streaming data.

```
rtsp://ip address:rtsp port/access name for stream 1 to 4
```

For example, when the access name for stream 1 is set to live.sdp:

1. Launch an RTSP player.
 2. Choose **File > Open URL**. A URL dialog box will pop up.
 3. Type the above URL command in the text box.
 4. The live video will be displayed in your player.
- **RTSP port; RTP port for video, metadata, audio; RTCP port for video, metadata, audio:**
 - RTSP (Real-Time Streaming Protocol) controls the delivery of streaming media. By default, the port number is set to 554.
 - The RTP (Real-time Transport Protocol) is used to deliver video and audio data to the clients. By default, the RTP port for video is set to 5556.
 - The RTCP (Real-time Transport Control Protocol) allows the camera to transmit the data by monitoring the Internet traffic volume. By default, the RTCP port for video is set to 5557.

The ports can be changed to values between 1025 and 65535. The RTP port must be an even number and the RTCP port is the RTP port number plus one, and thus is always an odd number. When the RTP port changes, the RTCP port will change accordingly. If the RTP ports are incorrectly assigned, the following warning message will be displayed.

```
Invalid port number. RTP video port must be an even number.
```

- **Multicast settings for streams**—Click the items to display the detailed configuration information. Select the Always multicast option to enable multicast for video streams.

Unicast video transmission delivers a stream through point-to-point transmission; multicast, on the other hand, sends a stream to the multicast group address and allows multiple clients to acquire the stream at the same time by requesting a copy from the multicast group address. Therefore, enabling multicast can effectively save Internet bandwidth.

The ports can be changed to values between 1025 and 65535. The multicast RTP port must be an even number and the multicast RTCP port number is the multicast RTP port number plus one, and thus is always odd. When the multicast RTP port changes, the multicast RTCP port will change accordingly.

If the multicast RTP video ports are incorrectly assigned, the following warning message will be displayed:

```
Invalid port number. Multicast stream 1 video port must be an even number.
```

- Multicast TTL [1~255]—The multicast TTL (Time To Live) is the value that tells the router the range a packet can be forwarded.

Initial TTL	Scope
0	Restricted to the same host
1	Restricted to the same subnetwork
32	Restricted to the same site
64	Restricted to the same region
128	Restricted to the same continent
255	Unrestricted in scope

The Multicast metadata port is utilized by Cisco VADP (Video Audio development platform) modules to transfer video analytics results, PTZ stream, textual data, and event messages between the camera and the client side running and observing the video analysis. If your client side computer is located outside the local network, you may need to open the associated TCP port on routers and firewall.

SIP

SIP is short for Session Initiation Protocol. If necessary, you can change the default port number, 5060, to one between 1025 and 65535.

- Two way audio port—The camera supports two way audio communication so that operators can transmit and receive audio simultaneously. By using the camera built-in or external microphone and an external speaker, you can communicate with people around the camera.

As JPEG only transmits a series of JPEG images to the client, to enable the two-way audio function, make sure the video mode is set to H.264 on the Media > Video > Stream settings page and the media option is set to Media > Video > Stream settings on the Client Settings page.

Network > QoS (Quality of Service)

Quality of Service refers to a resource reservation control mechanism, which guarantees a certain quality to different services on the network. Quality of service guarantees are important if the network capacity is insufficient, especially for real-time streaming multimedia applications. Quality can be defined as, for instance, a maintained level of bit rate, low latency, no packet dropping, and so on.

The following are the main benefits of a QoS-aware network:

- The ability to prioritize traffic and guarantee a certain level of performance to the data flow.

- The ability to control the amount of bandwidth each application may use, and thus provide higher reliability and stability on the network.

You can enable CoS and/or QoS/DSCP.

Requirements for QoS

To utilize QoS in a network environment, the following requirements must be met:

- All network switches and routers in the network must include support for QoS.
- The network video devices used in the network must be QoS-enabled.

QoS models

CoS (the VLAN 802.1p model)

IEEE802.1p defines a QoS model at OSI Layer 2 (Data Link Layer), which is called CoS, Class of Service. It adds a 3-bit value to the VLAN MAC header, which indicates the frame priority level from 0 (lowest) to 7 (highest). The priority is set up on the network switches, which then use different queuing disciplines to forward the packets.

In the setting column for CoS, enter the VLAN ID of your switch (0~4095) and choose the priority for each application (0~7).

If you assign Video the highest level, the switch will handle video packets first.



Note

- A VLAN Switch (802.1p) is required. Web browsing may fail if the CoS setting is incorrect.
- The Class of Service technologies do not guarantee a level of service in terms of bandwidth and delivery time; they offer a “best-effort.” You can think of CoS as “coarsely-grained” traffic control and QoS as “finely-grained” traffic control.
- Although CoS is simple to manage, it lacks scalability and does not offer end-to-end guarantees since it is based on L2 protocol.

QoS/DSCP (the DiffServ model)

DSCP-ECN defines QoS at Layer 3 (Network Layer). The Differentiated Services (DiffServ) model is based on packet marking and router queuing disciplines. The marking is done by adding a field to the IP header, called the DSCP (Differentiated Services Codepoint). This is a 6-bit field that provides 64 different class IDs. It gives an indication of how a given packet is to be forwarded, known as the Per Hop Behavior (PHB). The PHB describes a particular service level in terms of bandwidth, queueing theory, and dropping (discarding the packet) decisions. Routers at each network node classify packets according to their DSCP value and give them a particular forwarding treatment; for example, how much bandwidth to reserve for it.

Use the setting options of DSCP (DiffServ Codepoint) to specify the DSCP value for each application (0~63).



Note

Different vendors of network devices might have different methodologies and unique implementations. You should enter a DSCP tag value according to the information provided by the network devices.

Network > SNMP (Simple Network Management Protocol)

This section explains how to use the SNMP on the camera. The Simple Network Management Protocol is an application layer protocol that facilitates the exchange of management information between network devices. It helps network administrators to remotely manage network devices and find, solve network problems with ease.

The SNMP consists of the following key components:

- **Manager**—Network-management station (NMS), a server that executes applications that monitor and control managed devices.
- **Agent**—A network-management software module on a managed device that transfers the status of managed devices to the NMS.
- **Managed device**—A network node on a managed network. For example: routers, switches, bridges, hubs, computer hosts, printers, IP telephones, cameras, web server, and database.

Before configuring SNMP settings on the this page, enable your NMS.

SNMP Configuration

- **Enable SNMPv1, SNMPv2c**—Select this option and enter the names of Read/Write community and Read Only community according to your NMS settings.
- **Enable SNMPv3**—This option contains cryptographic security, a higher security level, that allows you to set the Authentication password and the Encryption password.
 - **Security name**—According to your NMS settings, choose Read/Write or Read Only and enter the community name.
 - **Authentication type**—Select MD5 or SHA as the authentication method.
 - **Authentication password**—Enter the password for authentication (at least 8 characters).
 - **Encryption password**—Enter a password for encryption (at least 8 characters).

Security > User accounts

This section explains how to enable password protection and create multiple accounts.

Account Management

The administrator account name is “root”, which is permanent and can not be deleted. If you want to add more accounts in the Account management window, apply the password for the root account first.

Administrators can create up to 20 user accounts.

To create a new user, follow these steps:

Step 1 Click to unfold the pull-down menu. Select **New user**.

Step 2 Enter the new user name and password. Type the password identically in both text boxes.

Some, but not all special ASCII characters are supported: !, \$, %, -, ., @, ^, _, and ~. You can use them in the password combination.

The strength of your password combination is shown on the right, use the combination of alphabetic, numeric, upper case, and lower case characters until the password strength is good enough.

Step 3 Select the privilege level for the new user account. Click **Add** to enable the setting.

The privilege levels are:

- Administrator—Full control
- Operator—Control DO, white-light illuminator, snapshot, and PTZ; unable to enter the camera Configuration page
- Viewer—Control DO, white-light illuminator, view, listen, PTZ, and talk through the camera interface

Access rights are sorted by user privilege (Administrator, Operator, and Viewer). Only administrators can access the Configuration page. Viewers can only access the main page for live viewing.

Here you also can change a user's access rights or delete user accounts.

1. Select an existing account to modify.
2. Make necessary changes and click Update or Delete to enable the setting.

Privilege Management

- Digital Output & PTZ control: You can modify the management privilege as operators or viewers. Select or deselect the check boxes, and then click Save to enable the settings. If you give Viewers the privilege, Operators will also have the ability to control the camera through the main page.
- Allow anonymous viewing—If you check this item, any client can access the live stream without entering a User ID and Password.

Security > HTTPS (Hypertext Transfer Protocol over SSL)

This section explains how to enable authentication and encrypted communication over SSL (Secure Socket Layer). It helps protect streaming data transmission over the Internet on higher security level.

Create and Install Certificate Method

Before using HTTPS for communication with the camera, a Certificate must be created first. There are two ways to create and install a certificate:

Method 1: Create Self-Signed Certificate

Step 1 Select this option from a pull-down menu.

Step 2 In the first column, select **Enable HTTPS secure connection**, then select a connection option: **HTTP & HTTPS** or **HTTPS only**.

Step 3 Click **Create certificate** to generate a certificate.

The Certificate Information will automatically be displayed. You can click **Certificate properties** to view detailed information about the certificate.

- Step 4** Click **Save** to preserve your configuration, and your current session with the camera will change to the encrypted connection.
- Step 5** If your web session does not automatically change to an encrypted HTTPS session, click **Home** to return to the main page. Change the URL address from “http://” to “https://” in the address bar and press **Enter** on your keyboard. Some Security Alert dialogs will pop up. Click **OK** or **Yes** to enable HTTPS.

Method 2: Create and Install Certificate

- Step 1** Select the option from the Method pull-down menu.
- Step 2** Click **Create certificate** to proceed.
- Step 3** Certificate information will show up in a pop-up window after clicking Create. Then click **Save** to generate the certificate request.
- Step 4** The Certificate request displays. If you see a “pop-up blocked” message in the bar, click **OK** and click on the Information bar at the top of the page to allow pop-ups.
- Step 5** Look for a trusted certificate authority, such as Symantec VeriSign Authentication Services, that issues digital certificates. Sign in and purchase the SSL certification service. Copy the certificate request from your request prompt and paste it in the signing request window of the CA. Proceed with the rest of the process as CA instructions on their web page.
- Step 6** Once completed, your SSL certificate should be delivered to you via an email or other means. Copy the contents of the certificate in the email and paste it in a text/HTML/hex editor/converter, such as IDM Computer Solution UltraEdit.
- Step 7** Open a new edit, paste the certificate contents, and press **ENTER** at the end of the contents to add an empty line.
- Step 8** Convert file format from DOS to UNIX. Open **File menu > Conversions > DOS to Unix**.
- Step 9** Save the edit using the “.crt” extension, using a file name like “CAcert.crt.”
- Step 10** Return to the original firmware session, use the Browse button to locate the crt certificate file, and click Upload to enable the certification.
- Step 11** When the certificate file is successfully loaded, its status will be stated as Active. A certificate must have been created and installed before you can click the **Save** button for the configuration to take effect.
- Step 12** To begin an encrypted HTTPS session, click **Home** to return to the main page. Change the URL address from “http://” to “https://” in the address bar and press Enter on your keyboard. Some Security Alert dialogs will pop up. Click **OK** or **Yes** to enable HTTPS.

Security > Access List

This section explains how to control access permission by verifying the client PC IP address.

General Settings

- Maximum number of concurrent streaming—Simultaneous live viewing for 1~10 clients (including stream 1 to stream 4). The default value is 10. If you modify the value and click **Save**, all current connections will be disconnected and automatically attempt to re-link (IE Explorer or Quick Time Player).
- Connection management—Click this button to display the connection status window showing a list of the current connections. Only consoles that are currently displaying live streaming will be listed in the View Information list.
 - IP address—Current connections to the camera.
 - Elapsed time—How much time the client has been at the web page.
 - User ID—If the administrator has set a password for the web page, the clients have to enter a user name and password to access the live video. The user name will be displayed in the User ID column. If the administrator allows clients to link to the web page without a user name and password, the User ID column will be empty.
 - There are some situations that allow clients access to the live video without a user name and password:
 - The administrator does not set up a root password. For more information about how to set up a root password and manage user accounts, see the [“Security > User accounts”](#) section on page 5-28.
 - The administrator has set up a root password, but set RTSP Authentication to “disable.” For more information about RTSP Authentication, see the [“RTSP Streaming”](#) section on page 5-25.
 - The administrator has set up a root password, but allows anonymous viewing. For more information about Allow Anonymous Viewing, see the [“Account Management”](#) section on page 5-28.
 - Refresh—Click this button to refresh all current connections.
 - Add to deny list—You can select entries from the Connection Status list and add them to the Deny List to deny access. Those checked connections will only be disconnected temporarily and will automatically try to re-link again (IE Explore or Quick Time Player). If you want to enable the denied list, check **Enable access list filtering** and click **Save** in the first column.
 - Disconnect—If you want to break off the current connections, select them and click this button. Those checked connections will only be disconnected temporarily and will automatically try to re-link again (IE Explore or Quick Time Player).

Filter

- Enable access list filtering—Check this item and click Save if you want to enable the access list filtering function.
- Filter type—Select **Allow** or **Deny** as the filter type. If you choose Allow Type, only those clients whose IP addresses are on the Access List can access the camera, and the others cannot. If you choose Deny Type, those clients whose IP addresses are on the Access List will not be allowed to access the camera, and the others can.

Then you can Add a rule to the following Access List. The IPv6 access list column will not be displayed unless you enable IPv6 on the Network page. For more information about IPv6 Settings, see the [“Network > General settings”](#) section on page 5-21 for detailed information.

There are three types of rules:

- Single—This rule allows the user to add an IP address to the Allowed/Denied list.
- Network—This rule allows the user to assign a network address and corresponding subnet mask to the Allow/Deny List. The address and network mask are written in CIDR format. If IPv6 filter is preferred, you will be prompted by the Add ipv6 filter list window. Enter the IPv6 address and the two-digit prefix length to specify the range of IP addresses in your configuration
- Range—This rule allows the user to assign a range of IP addresses to the Allow/Deny List. This rule only applies to IPv4 addresses

Administrator IP address

- Always allow the IP address to access this device—You can check this item and add the Administrator IP address in this field to make sure the Administrator can always connect to the device.

Security > IEEE 802.1X

Enable this function if your network environment uses IEEE 802.1x, which is a port-based network access control. The network devices, intermediary switch/access point/hub, and RADIUS server must support and enable 802.1x settings.

The 802.1x standard is designed to enhance the security of local area networks, which provides authentication to network devices (clients) attached to a network port (wired or wireless). If all certificates between client and server are verified, a point-to-point connection will be enabled; if authentication fails, access on that port will be prohibited. 802.1x utilizes an existing protocol, the Extensible Authentication Protocol (EAP), to facilitate communication.

The components of a protected network with 802.1x authentication include the following:

- Supplicant—A client end user (camera), which requests authentication
- Authenticator (an access point or a switch)—A “go between” that restricts unauthorized end users from communicating with the authentication server
- Authentication server (usually a RADIUS server)—Checks the client certificate and decides whether to accept the end user access request.

Cameras support two types of EAP methods to perform authentication: EAP-PEAP and EAP-TLS.

To enable 802.1x settings, follow these steps:

-
- | | |
|---------------|--|
| Step 1 | Before connecting the camera to the protected network with 802.1x, apply a digital certificate from a Certificate Authority (such as your network administrator) that can be validated by a RADIUS server. |
| Step 2 | Connect the camera to a PC or notebook outside of the protected LAN. Open the configuration page of the camera. Select EAP-PEAP or EAP-TLS as the EAP method. In the field, enter your ID and password issued by the CA, then upload related certificate(s). |
| Step 3 | When all settings are complete, move the camera to the protected LAN by connecting it to an 802.1x enabled switch. The devices will then start the authentication automatically. |
-

**Note**

The authentication process for 802.1x:

1. The Certificate Authority (CA) provides the required signed certificates to the camera (the supplicant) and the RADIUS Server (the authentication server).
2. A camera requests access to the protected LAN using 802.1X via a switch (the authenticator). The client offers its identity and client certificate, which is then forwarded by the switch to the RADIUS Server, which uses an algorithm to authenticate the camera and returns an acceptance or rejection back to the switch.
3. The switch also forwards the RADIUS Server's certificate to the camera.
4. Assuming all certificates are validated, the switch then changes the camera's state to authorized and is allowed access to the protected network via a preconfigured port.

Security > SSH

- Enable SSH server—Check this check box if you want to allow access to the camera through an SSH connection.
- SSH port—Enter the SSH port that is used to access the IP camera. Valid port numbers are 22 and 1024 through 65535. The default port is 22.

Click **Save** to enable the settings.

PTZ > PTZ settings

This section explains how to control the camera digital PTZ (Pan/Tilt/Zoom) operation. Within a field of view, it allows you to quickly move the focus to a target area for close-up viewing without physically moving the camera.

Digital PTZ Operation

The digital PTZ control settings section includes the following options. For digital PTZ related details, see the [“Preset and Patrol Settings” section on page 5-34](#).

- Select stream—Choose the video stream that you want to control.
- Pan and tilt buttons—Click to pan or tilt the camera. Click the Home button to move the camera to its configured home position.
- Pan speed, Tilt speed, Zoom speed—Select the pan speed, tilt speed, and zoom speed for the camera from 5 to -5 (fast to slow).
- Auto pan/patrol speed—Select the speed from 1~ 5 (slow/fast) to set up the Auto pan/patrol speed control.
- Go to—If you have configured preset positions, choose one to go to.

You can use your mouse to pan or tilt the camera by dragging the video image. You can use your mouse wheel to zoom the camera by clicking the video image and then scrolling the wheel.

When completed with these settings, click **Save** to enable the settings on this page.


Home Location Settings



- Set current position as home—Click this button to set the current camera position (pan, tilt, zoom) as the home position.
- Restore home position to default—Sets the camera to the factory default PTZ settings.

Preset and Patrol Settings

You can select some preset positions for the camera to patrol.

To set up a patrol schedule, follow these steps:

-
- Step 1** Enter a name for the preset location in the Name field and then click **Add**.
 - Step 2** Select the preset locations on the list, and click .

The selected preset locations will be displayed on the Patrol locations list.
 - Step 3** Set the Dwell time for the preset location during an auto patrol.
 - Step 4** If you want to delete a preset location from the Patrol locations list, select it and click **Remove**.
 - Step 5** Select a location and click   to rearrange the patrol order.
 - Step 6** Select patrol locations you want to save in the list and click **Save** to enable the patrol settings.
 - Step 7** To implement the patrol schedule, go to the Home page and click on the **Patrol** button.
-



Note

- The Preset Positions will also be displayed on the Home page. Choose one from the Go to menu, and the camera will move to the selected preset position.
 - Click Patrol on the Home page—The camera will patrol along the selected positions repeatedly.
-

Misc Settings

- Zoom factor display—Select to display the digital zoom factor on the video stream.

Event > Event settings

This section explains how to configure the camera to respond to particular situations (events). A typical application is that when a motion is detected, the camera sends buffered images to an FTP server or e-mail address as notifications. Click **Help**, there is an illustration shown in the pop-up window explaining that an event can be triggered by many sources, such as motion detection or external digital input devices. When an event is triggered, you can specify what type of action that will be performed. You can configure the camera to send snapshots or videos to your email address or FTP site.

Event

To configure an event with reactive measures such as recording video or snapshots, it is necessary to configure the server and media settings so that the camera will know what action to take (such as which server to send the media files to) when a trigger is activated. An event is an action initiated by a user-defined trigger source. In the Event column, click **Add** to open the event settings window. Here you can arrange three elements—Schedule, Trigger, and Action—to set an event. A total of three event settings can be configured.

- Event name—Enter a name for the event setting.
- Enable this event—Select this option to enable the event setting.
- Priority—Select the relative importance of this event (High, Normal, or Low). Events with a higher priority setting will be executed first.
- Detect next event after x seconds—Enter the duration in seconds to pause motion detection after a motion is detected. This can prevent event-related actions to take place too frequently.

Schedule

Specify the period of time during which the event trigger will take effect. Select the days of the week and the time in a day (in 24-hr time format) for the event triggering schedule. For example, you may prefer an event to be triggered only during the off-office hours.

Trigger

This is the cause or stimulus that defines when to trigger the camera. The trigger source can be configured to use the camera built-in motion detection mechanism or external digital input devices.

There are several choices of trigger sources. Select the item to display the detailed configuration options.

- Video motion detection—This option makes use of the built-in motion detection mechanism as a trigger source. To enable this function, you need to configure a Motion Detection Window first. For more information, see the [“Applications > Motion detection” section on page 5-40](#).
- Periodically—This option allows the camera to trigger periodically for every other defined minute. Up to 999 minutes are allowed.
- Digital input—This option allows the camera to use an external digital input device or sensor as a trigger source. Depending on your application, there are many choices with digital input devices on the market which help detect changes in temperature, vibration, sound, light, and so on.
- System boot—This option triggers the camera when the power to the camera is disconnected and reconnected.
- Recording notify—This option allows the camera to trigger when the recording disk is full or when recording starts to overwrite older data.
- Audio detection—A preset threshold can be configured with an external microphone as the trigger to system event. The triggering condition can be an input exceeding or falling below a threshold. Audio detection can take place as a complement to motion detection or as a method to detect activities not covered by the camera view.
- PIR—Applies to the Cisco Video Surveillance 8620 only. This option allows the camera to trigger an event when the built-in PIR (Passive Infrared) sensor detects any motion objects by their thermal to prevent the occurrences of false alarms.
- Camera tampering detection— This option allows the camera to trigger when the camera detects that is being tampered with. To enable this function, you need to configure the Tampering Detection option first. See the [“Applications > Tampering detection” section on page 5-41](#) for detailed information.

- **Manual Triggers**—This option allows you to enable event triggers manually by clicking the on/off button on the homepage. Configure one to three associated events before using this function.
- **Cisco VADP**—It is presumed that you already uploaded and enabled the Cisco APP Package modules before you can associate Cisco APP Package triggers with an Event setting.

Click on the **Set VADP Trigger** button to open the VADP triggers menu. The triggering conditions available software modules known as Cisco APP Packages will be listed. Use the arrow buttons to select these triggers. You may implant these modules for different purposes such as triggering motion detection, or applications related to video analysis, etc. See the “[Applications > Package management](#)” section on page 5-44 for the configuration options with Cisco App Package modules.

Once the triggers are configured, they will be listed under the VADP option.

Action

Define the actions to be performed by the camera when a trigger is activated.

- **Trigger digital output for x seconds**—Select this option to turn on the external digital output device when a trigger is activated. Specify the length of the trigger interval in the text box.
- **SD**—Select this option to back up media files on an SD card if the network is disconnected. This function will only be displayed after you set up a network storage (NAS). The media to back up can include snapshot images, video, or system logs depending on your event settings.

Add server

It is necessary to configure the server and media settings so that the camera will know what action to take (such as which server to send the media files to) when a trigger is activated. Click **Add server** in the Action display to open the server setting window. You can specify where the notification messages are sent to when a trigger is activated. A total of five server settings can be configured.

There are four choices of server types available: Email, FTP, HTTP, and Network storage. Select the item to display the detailed configuration options. You can configure either one or all of them.

Server type: Email

Select to send the media files via email when a trigger is activated.

- **Server name**—Enter a name for the server setting.
- **Sender email address**—Enter the email address of the sender.
- **Recipient email address**—Enter the email address of the recipient.
- **Server address**—Enter the domain name or IP address of the email server.
- **User name**—Enter the user name of the email account if necessary.
- **Password**—Enter the password of the email account if necessary.
- **Server port**—The default mail server port is set to 25. You can also manually set another port.

If your SMTP server requires a secure connection (SSL), select **This server requires a secure connection (SSL)**.

To verify if the email settings are correctly configured, click **Test**. The result will be shown in a pop-up window. If successful, you will also receive an email indicating the result.

Click **Save server** to enable the settings.

After you configure the first event server, the new event server will automatically display on the Server list. If you wish to add other server options, click **Add server**.

Server type: FTP

Select to send the media files to an FTP server when a trigger is activated.

- Server name—Enter a name for the server setting.
- Server address—Enter the domain name or IP address of the FTP server.
- Server port—By default, the FTP server port is set to 21. It can also be assigned to another port number between 1025 and 65535.
- User name—Enter the login name of the FTP account.
- Password—Enter the password of the FTP account.
- FTP folder name—Enter the folder where the media files will be placed. If the folder name does not exist, the camera will automatically create one on the FTP server.
- Passive mode—Most firewalls do not accept new connections initiated from external requests. If the FTP server supports passive mode, select this option to enable passive mode FTP and allow data transmission to pass through the firewall. The firmware default has the Passive mode check box selected.

To verify if the FTP settings are correctly configured, click **Test**. The result will be shown in a pop-up window. If successful, you will also receive a test.txt file on the FTP server.

Click **Save server** to enable the settings.

Server type: HTTP

Select to send the media files to an HTTP server when a trigger is activated.

- Server name—Enter a name for the server setting.
- URL—Enter the URL of the HTTP server.
- User name—Enter the user name if necessary.
- Password—Enter the password if necessary.

To verify if the HTTP settings are correctly configured, click **Test**. The result will be shown in a pop-up window. If successful, you will receive a test.txt file on the HTTP server.

Click **Save server** to enable the settings.

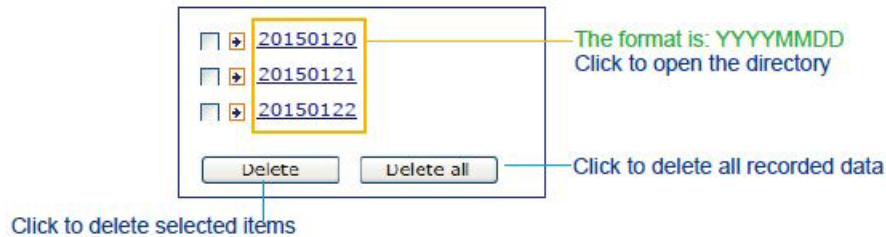
Network storage

Select to send the media files to a networked storage when a trigger is activated. See the [“Recording > Recording settings” section on page 45](#) for details. Only one NAS server can be configured. Click **Save server** to enable the settings.

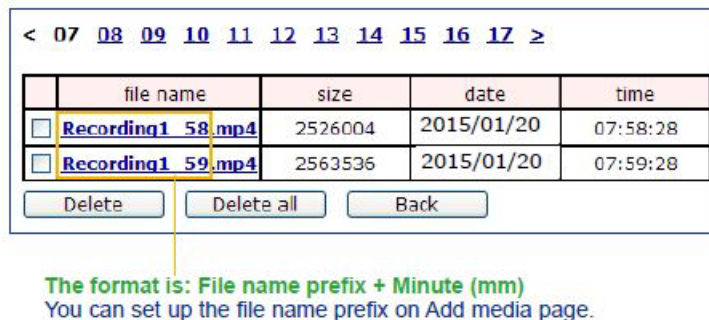
Additional Actions

- SD Test—Click to test your SD card. The system will display a message indicating the result as a success or a failure. If you want to use your SD card for local storage, format it before use.
- View—Click this button to open a file list window. This function is only for SD card and Network Storage. If you click the View button for an SD card, a Local storage page will prompt so that you can manage the recorded files on SD card. For more information about Local storage, see the [“Local storage > SD card management” section on page 5-47](#). If you click the View button for a Network storage, a file directory window will prompt for you to view recorded data on Network storage.
- Create folders by date, time, and hour automatically—If you select this item, the system will automatically create folders by the date when video footages are stored onto the networked storage.

The following is an example of a file destination with video clips:



Click 20150120 to open the directory:



Add media

Click **Add media** in the Action display to open the media setting window. You can specify the type of media that will be sent when a trigger is activated. A total of five media settings can be configured. There are three choices of media types available: Snapshot, Video Clip, and System log. Select the item to display the detailed configuration options. You can configure either one or all of them.

Media type: Snapshot

Select to send snapshots when a trigger is activated.

- Media name—Enter a name for the media setting.

- Source—Select to take snapshots from any of the video streams.
- Send *x* pre-event images—The camera has a buffer to temporarily hold data up to a certain limit. Enter a number to decide how many images to capture before a trigger is activated. Up to seven images can be generated.
- Send *x* post-event images—Enter a number to decide how many images to capture after a trigger is activated. Up to seven images can be generated. For example, if both the Send pre-event images and Send post-event images are set to 7, a total of 15 images can be generated after a trigger is activated.
- File name prefix—Enter the text that will be appended to the front of the file name.
- Add date and time suffix to the file name—Select this option to add a date/time suffix to the file name. The date and time suffix format is YYYYMMDD_HHMMSS.

Click **Save media** to enable the settings.

After you set up the first media server, a new column for media server will automatically display on the Media list. If you wish to add more media options, click **Add media**.

Media type: Video clip

Select to send video clips when a trigger is activated.

- Media name—Enter a name for the media setting.
- Source—Select a video stream as the source of video clip.
- Pre-event recording—The camera has a buffer to temporarily hold data up to a certain limit. Enter a number to decide the duration of recording before a trigger is activated. Up to 9 seconds can be set.
- Maximum duration—Specify the maximum recording duration in seconds. The duration can be up to 10 seconds. For example, if pre-event recording is set to 5 seconds and the maximum duration is set to 10 seconds, the camera continues to record for another 4 seconds after a trigger is activated.
- Maximum file size—Specify the maximum file size allowed. You may need to stitch the video clips together when searching and packing up forensic evidence.
- File name prefix—Enter the text that will be appended to the front of the file name.

Click **Save media** to enable the settings.

Media type: System log

Select to send a system log when a trigger is activated.

Click **Save media** to enable the settings, then click **Close** to exit the page.

In the Event settings column, the Servers and Medias you configured will be listed; make sure the Event > Status is indicated as ON, in order to enable the event triggering action.

When completed, click the Save event button to enable the settings and click **Close** to exit Event Settings page. The new Event / Server settings / Media will appear in the event drop-down list on the Event setting page.

When the Event Status is ON, the event configuration above is triggered by motion detection, the camera will automatically send snapshots via e-mail.

If you want to stop the event trigger, you can click on the ON button to turn it to OFF status or click the **Delete** button to remove the event setting.

To remove a server setting from the list, select a server name from the drop-down list and click **Delete**. You can delete a server setting only when it is not applied in an existing event setting.

To remove a media setting from the list, select a media name from the drop-down list and click **Delete**. You can delete a media setting only when it is not applied in an existing event setting.

Customized Script

This function allows you to upload a sample script (.xml file) to the web page, which will save you time on configuring the settings. There is a limited number of customized scripts you can upload; if the current amount of customized scripts has reached the limit, an alert message will prompt.

Click **Add** to upload a file. Click in the script display to modify the script online.

Applications > Motion detection

This section explains how to configure the camera to enable motion detection. A total of five motion detection windows can be configured.

Motion detection setting 1, Normal light mode, is for normal situations. Motion detection setting 2, Profile mode, is for special situations.

To enable motion detection, follow these steps:

-
- Step 1** Click **New** to add a new motion detection window.
 - Step 2** In the Window Name text box, enter a name for the motion detection window.
Use four mouse clicks to designate a detection window. You can change the window shape by dragging the corner marks to a preferred location.
Drag the item size tab to change the minimum size of item to trigger an alarm. An item size box will appear in the center of screen for your reference (in semi-transparent red). An intruding object must be larger than the Item size to trigger an alarm. Change the item size according to the live view.
To delete a window, click the X mark on the right of the window name.
 - Step 3** Define the sensitivity to moving objects by moving the Sensitivity slide bar.
A high sensitivity is prone to produce false alarms such as the fast changes of light (such as day/night mode switch, turning lights on/off). A movement must persist longer than 0.3 second for the motion to be detected.
 - Step 4** Click **Save** to enable the settings.
 - Step 5** Select **Enable motion detection** to enable this function.
-

The Percentage Indicator will rise or fall depending on the variation between sequential images. When motions are detected by the camera and are considered to exceed the preset threshold, the red bar rises. Meanwhile, the motion detection window will be outlined in red.

Photos or videos can be captured instantly and configured to be sent to a remote server (via an Email or FTP server). For more information on how to configure an event setting, see the [“Event > Event settings” section on page 5-34](#).

A green bar indicates that even though motions have been detected, the event has not been triggered because the image variations still fall under the preset threshold.

If you want to configure other motion detection settings for day/night/schedule mode (for example, for a different lighting condition), click **Profile** to open the Motion Detection Profile Settings page. Another three motion detection windows can be configured on this page.

To set up a profile, follow these steps:

-
- Step 1** Create a new motion detection window.
- Step 2** Click the **Profile mode** tab.
- Step 3** Select the applicable Schedule mode. Manually enter a time range.
- Step 4** Click **Save** to enable the settings and click **Close** to exit the page.
-

This motion detection window will also be displayed on the Event Settings page. You can go to **Event > Event settings > Add Event > Trigger** to select it as a trigger source. See the [“Event > Event settings” procedure on page 5-34](#) for detailed information.

How does Motion Detection Work?

There are two motion detection parameters: Sensitivity and Min. Item Size. Sensitivity is a value that expresses the sensitivity to moving objects. A higher sensitivity setting allows camera to detect slight movements while a lower sensitivity setting will neglect them.

The minimum item size is a threshold value that determines how many “alerted pixels” can trigger an event. When the size of an intruding object is larger than the minimum size, and its movement persist for 0.3 second, the motion is judged to exceed the defined threshold; and the motion window will be outlined in red. With a large minimum item size, the size of moving object is considered as smaller than the minimum item size, no motion alarm is triggered. With a smaller minimum item size, the same moving object triggers the alarm.

For applications that require a high level of security management, it is suggested to use higher sensitivity settings. However, a higher sensitivity level can also produce false alarms due to fast light changes when switching between the day and night modes, AE switch, turning the light on or off, and so on.

Applications > DI and DO

- Digital input—Select High or Low as the Normal status for the digital input. Connect the digital input pin of the camera to an external device to detect the current connection status.
- Digital output—Select Open or Grounded to define the normal status for the digital output. Connect the digital output pin of the camera to an external device to determine the current status.

Set up the event source as DI on **Event > Event settings Add Event > Trigger**. See the [“Event > Event settings” section on page 5-34](#) for detailed information.

Applications > Tampering detection

This section explains how to set up camera tamper detection. With tamper detection, the camera is capable of detecting incidents such as redirection, blocking or defocusing, or even spray paint.

To set up the camera tamper detection function, follow these steps:

-
- Step 1** Click to select the check box before tampering conditions: Tampering detection, Image too dark detection, Image too bright detection, or Image too blurry detection, then enter the tamper trigger duration (10 sec. ~ 10 min.). The duration specifies the set of time before the tampering is considered as a real alarm. This helps avoid false alarms by short-lived ch.

The tamper alarm will be triggered only when the tampering factor (the difference between current frame and pre-saved background) exceeds the trigger threshold. Conditions such as image too dark, too bright, or too blurry (defocused) can also be configured as tampering conditions. The Trigger threshold determines how sensitive your is tamper detection setting.

- Too bright—Shining a flashlight. The average lighting level of the scene is taken into consideration.
- Too dark—Covering the objective or spraying paint.
- Too blurry—Blurry scene can be the result of strong interference on the device, such as EMI interference.

- Step 2** You can configure Tampering Detection as a trigger element to the proactive event configurations in Event > Event settings > Trigger.

For example, when the camera is tampered with, the camera can be configured to send the pre- and post-event video clips to a networked storage device. See the [“Event > Event settings” section on page 5-34](#) for detailed information.

Applications > Audio detection

Audio detection, along with video motion detection, is applicable in the following scenarios:

- Detection of activities not covered by camera view, for example, a loud input by gun shots or breaking a door/window.
- A usually noisy environment, such as a factory, suddenly becomes quiet due to a breakdown of machines.
- A PTZ camera can be directed to turn to a preset point by the occurrence of audio events.
- Dark environments where video motion detection may not function well.

In the example shown in [Figure 5-8](#), the red circles indicate where the audio alarms can be triggered when breaching or falling below the preset threshold.

Figure 5-8 Audio Detection



To configure audio detection, follow these steps:

-
- Step 1** Once the Audio detection window is opened, the current sound input will be interactively indicated by a fluctuating yellow wave diagram.
- Step 2** Use a mouse click to drag the Alarm level tab to a preferred location on the slide bar.
- Step 3** Select the **Enable audio detection** check box and click **Save** to enable the feature.
-

**Note**

- The volume numbers (0~100) on the side of wave diagram does not represent decibel (dB). Sound intensity level has already been mapped to preset values. You can, however, use the real-world inputs at your installation site that are shown on the wave diagram to configure an alarm level.
 - To configure this feature, you must not mute the audio in Configuration > Media > Audio. The default of the camera can be muted due to the lack of an internal microphone. An external microphone is provided by users.
-

You can use the Profile window to configure a different Audio detection setting. For example, a place can be noisy in the day time and become very quiet in the night. To make this configuration, follow these steps:

-
- Step 1** Click the **Profile** button.
- Once the Audio detection window is opened, the current sound input will be interactively indicated by a fluctuating yellow wave diagram.

- Step 2** Use a mouse click to drag the Alarm level tab to a preferred location on the slide bar.
- Step 3** Select the Day, Night, or Schedule mode check circles.
You may also manually configure a period of time during which this profile will take effect.
- Step 4** Click **Save** and then click **Close** to complete your configuration.

If the Alarm level and the received volume are set within a range of 20% on the wave diagram, frequent alarms will be triggered. It is recommended to set the Alarm level farther apart from the detected sound level.

To configure and enable this feature, you must not configure video stream #1 into Motion JPEG. If an external microphone input is connected and recording of audio stream is preferred, audio stream is transmitted between camera and viewer/recording station along with stream #1.

See the “[Media > Audio](#)” section on page 5-21 for audio settings and the “[Media > Video](#)” section on page 5-15 for video streaming settings.

Applications > PIR

Applies to the Cisco Video Surveillance 8620 only. Check the Enable PIR detection check box to enable the PIR (Passive Infrared) detection. The default is enabled.

Click **Save** to save the setting.

Applications > Package management

You can store and execute Cisco software modules onto the camera's flash memory or SD card. These software modules can apply in video analysis for intelligent video applications such as license plate recognition, object counting, or as an agent for edge recording, and so on.

- Once the software package is successfully uploaded, the module configuration (vadp.xml) information is displayed. When uploading a module, the camera will examine whether the module fits the predefined Cisco APP package requirements. Contact Cisco for the parameters contained within.
- You can also run Cisco APP package packages as a means to access updated functionality instead of replacing the entire firmware.
- For some cameras the flash is too small to hold Cisco APP package packages. These cameras will have their Save to SD card check boxes selected and grayed-out for all time.
- The file system of SD card (FAT32) does not support soft (symbolic) link. It will return failure if your module tries to create soft links on SD card.

To utilize a software module, acquire the software package and click **Browse** and **Upload** buttons.

To start a module, select the radio button in front, and click the **Start** button.

If you need to remove a module, select the radio button in front and then click the **Stop** button. By then the module status will become OFF, and the X button will appear at the end of the row. Click on the **X** button to remove an existing module.

To set a time that a module starts and stops each day, click the **Schedule** button, and then use the From and To fields that appear to set the times.

When prompted by a confirm message, click **Yes** to proceed.

That the actual memory consumed while operating the module will be indicated on the Memory status field. This helps determine whether a running module has consumed too much of system resources.

Recording > Recording settings

This section explains how to configure the recording settings for the camera.

Recording Settings

Insert your SD card and click **SD test** to test



Note

Remember to format your SD card via the camera web console (in the Local storage SD card management page) when using it for the first time. See the [“Local storage > SD card management” section on page 5-47](#) for detailed information.

Click **Add** to open the recording setting window. On this page, you can define the adaptive recording, recording source, recording schedule, and recording capacity. A total of two recording settings can be configured.

- Recording name—Enter a name for the recording setting.
- Enable this recording—Select this option to enable video recording.
- With adaptive recording—Select this option will activate the frame rate control according to alarm trigger. The frame control means that when there is a triggered alarm, the frame rate will raise up to the value you configured on the Video quality page. See the [“Media > Video” section on page 5-15](#) for more information.

If you enable adaptive recording on a camera, only when an event is triggered on Camera A will the server record the full frame rate streaming data; otherwise, it will only request the I frame data during normal monitoring, thus effectively saves bandwidths and storage space.



Note

To enable adaptive recording, make sure you have set up the trigger source such as Motion Detection, DI Device, or Manual Trigger.

When there is no alarm trigger:

- JPEG mode: record 1 frame per second
- H.264 or H.265 mode: record the I frame only

When the I frame period is >1s on Video settings page, firmware will force decrease the I frame period to 1s when adaptive recording is enabled.

The alarm trigger includes: motion detection and DI detection. See the [“Event > Event settings” section on page 5-34](#).

- Pre-event recording and post-event recording—Available when you enable **With adaptive recording**. The camera has a buffer that temporarily holds data for a period of time. Therefore, when an event occurs, the camera can retrieve image frames taken several seconds ago. Enter a number to define the duration of recording before and after a trigger is activated.

- **Priority**—Select the relative importance of this recording (High, Normal, or Low). Recording with a higher priority setting will be executed first.
- **Source**—Select a video stream as the recording source.

To enable recording notification configure Event settings first. See the [“Event > Event settings” section on page 5-34](#).

Follow these steps to set up recording:

1. **Trigger:** Select a trigger source.
 - **Schedule**—The server will start to record files on the local storage or network storage (NAS).
 - **Network fail**—Since network fail, the server will start to record files on the local storage (SD card).
2. **Destination:** You can select the SD card or network storage (NAS) for the recorded video files. If you have not configured a NAS server, see the following steps.

NAS server

1. Click **Add NAS server** to open the server setting window.
2. Fill in the information for your server.
 - In the **Server name** field, enter the name of the NAS server.
 - In the **Network storage location** field, enter the network storage path in the format `\\server_name` or `IP_address\folder_name`
 - In the **Workgroup** field, enter the workgroup of the NAS server.
 - In the **Username and password** field, enter information for your server
3. Click **Test** to check the setting. The result will be shown in a pop-up window. If successful, you will receive a test.txt file on the network storage server.
4. Click **Save** to complete the settings and click **Close** to exit the page.

The following options appear when you add a NAS server:

- **Capacity**—You can choose either the entire free space available or limit the reserved space. The recording size limitation must be larger than the reserved amount for cyclic recording. The reserved space is a small amount of space used only for the transaction stage when the capacity is about to be used up or recycled.
- **Enable cyclic recording**—If you check this item, when the maximum capacity is reached, the oldest file will be overwritten by the latest one. The reserved amount is reserved for the transaction stage when the storage space is about to be full and new data arrives. The minimum for the Reserved space must be larger than 15 MB.
- **Recording file management**—You can manually assign the Maximum duration and the Maximum file size for each recording footage. You may need to stitch individual files together under some circumstances. You may also designate a file name prefix by filling in the responsive text field.
- **File name prefix**—Enter the text that will be appended to the front of the file name.

If you want to enable recording notification, click **Event** to configure event triggering settings. See the [“Event > Event settings” section on page 5-34](#) for more details.

When completed, select **Enable this recording**. Click **Save** to enable the setting and click **Close** to exit this page. When the system begins recording, it will send the recorded files to the network storage. The new recording name will appear in the drop-down list on the recording page.

To remove a recording setting from the list, select a recording name from the drop-down list and click **Delete**.

- Click recording (Name)—Opens the Recording Settings page to modify.
- Click ON (Status)—The Status will become OFF and stop recording.
- Click NAS (Destination)—Opens the file list of recordings. For more information about folder naming rules, see the [“Add server” section on page 5-36](#).

Local storage > SD card management

This section explains how to manage the local storage on the camera. Here you can view SD card status, and implement SD card control.



Note

- It is recommended to turn OFF the recording activity before you remove an SD card from the camera.
- The lifespan of an SD card is limited. Regular replacement of the SD card can be necessary.
- Camera file system takes up several megabytes of memory space. The storage space cannot be used for recording.
- An SD card that already contains data recorded by another device should not be used in this camera.
- Do not modify or change the folder names in the SD card. That may result in camera malfunctions.

SD card status

This column shows the status, file system, size, and usage information for your SD card. Remember to format the SD card when using for the first time. If the SD card status field shows “Detached,” there is no SD card.

SD card format

The Linux kernel EXT4 file system format applies to SD card larger than 32GB. However, if EXT4 is applied, the computers running Windows will not be able to access the contents on the SD card unless using some third-party software.

SD card control

- Enable cyclic storage—Check this item if you want to enable cyclic recording. When the maximum capacity is reached, the oldest file will be overwritten by the latest one.
- Enable automatic disk cleanup—Check this item and enter the number of days you wish to retain a file. For example, if you enter “7 days,” the recorded files will be stored on the SD card for 7 days.

Click **Save** to enable your settings.

Local storage > Content management

This section explains how to manage the content of recorded videos on the camera. Here you can search and view the records and view the searched results.

Searching and Viewing Records

To set up search criteria for recorded data, use the following options. If you do not select any criteria and click **Search** button, all recorded data will be listed in the Search results area.

- Trigger types—Select one or more trigger types.
- Media type—Select the media type (Video clip, Snapshot, or text).
- Time—Use the options to search the last x minutes, hours, day, or weeks, to search designated from and to dated and times.

Click **Search** and the recorded data corresponding to the search criteria will be listed in Search results area.

Search Results

The Search results window includes four columns: Name, Trigger time, Starting Time, and Ending time.

From the drop-down list at the bottom left, choose the number of entries to be displayed on one page.

You can sort the search results by any column by clicking the column title. Click as needed choose ascending or descending order.

- Play—Click on a search result which will highlight the selected item. A Play window will appear on top for immediate review of the selected file.
- Download—Click on a search result to highlight the selected item in purple. Then click the Download button and a file download window will pop up for you to save the file.
- Lock/Unlock—Select the check box in front of a desired search result, then click this button. The selected items will become Locked, which will not be deleted during cyclic recording. You can click again to unlock the selections.
- JPEGs to AVI—This functions only applies to JPEG format files such as snapshots. You can select several snapshots from the list, then click this button. Those snapshots will be converted into an AVI file.
- Remove—Select the desired search results, then click this button to delete the files.