

# Cisco Video Surveillance 8020 IP Camera

## Product overview

The Cisco® Video Surveillance 8020 IP Camera is an indoor, high-definition, full-functioned video endpoint with an integrated infrared illuminator and industry-leading image quality and processing power. The camera is capable of full 2560 x 1920 (5 MP) resolution and up to 60 Frames Per Second (fps) performance while optimizing network usage with either H.265, H.264, or MJPEG compression. H.265 compression with Smart Stream II provides more efficient image compression rates in comparison with H.264 encoding, by as much as 80 percent in some cases. Contact closures and two-way audio allow integration with microphones, speakers, and access control systems. With its open, standards-based design, the camera shown in Figure 1 provides an ideal platform for integration and operation as an independent device or as part of a Cisco Video Surveillance network.

Figure 1. Cisco Video Surveillance 8020 IP Camera



The Cisco Video Surveillance 8020 IP Camera offers a variety of benefits, including:

- **True high-definition video:** The camera streams crisp and clear 2560 x 1920 (5 megapixel) video at 30 fps while maintaining low network bandwidth.
- **Motorized focus and zoom:** The lens on the 8020 IP Camera allows the focus and zoom to be controlled remotely, greatly simplifying installations and field of view adjustments.
- **Integrated infrared illuminator:** The infrared illuminator can light an area up to 30 meters away.
- **Quad streaming:** The camera can stream H.265, H.264, and MJPEG video simultaneously. Each video stream can be configured with individual resolution, quality, and frame-rate settings.
- **Day/night operation:** The camera provides true day/night functionality and includes an infrared filter that automatically switches to night mode in low-light scenes. This function can be set to manual, automatic, or scheduled control.

- **Privacy regions:** The camera supports up to five user-defined privacy regions. Any video within a privacy region is masked in the video stream.
- **Local storage:** Video data can automatically be recorded to an SD card when the camera loses network connectivity.
- **Bidirectional audio:** The camera supports full-duplex audio operation.
- **Open API.** Support for ONVIF Profile G and S allows for standards-based interoperability and communications with other ONVIF appliances.
- **Flexible power options:** The camera supports Power over Ethernet (PoE) 802.3af and 12 VDC power through an optional external power supply.
- **Mounting options:** The camera can be surface-mounted to the ceiling or wall. Accessory mounts are available for other mounting options.

## Features

Table 1 describes the features of the Cisco Video Surveillance 8020 IP Camera.

Table 1. Cisco Video Surveillance 8020 IP Camera features

Item	Specification
Imaging device	1/1.8" progressive CMOS (Sony IMX178)
Image control	Time stamp, text overlay, flip and mirror Configurable brightness, contrast, saturation, sharpness, white balance, exposure control, gain, backlight compensation, privacy masks, scheduled profile settings, 3DNR, video rotation, defog, EIS
Wide dynamic range	100 dB
Minimum illumination	<ul style="list-style-type: none"> <li>• Color: 0.04 lux @ F1.3</li> <li>• B/W: 0.001 lux @ F1.3</li> </ul>
Lens	4-9 mm P-Iris Remote autofocus and zoom
Field of view	45° ~ 93° (horizontal) 34° ~ 68° (vertical) 64° ~ 121° (diagonal)
Shutter speed	1/5 to 1/32,000 sec
Video compression	H.265 (with Smart Stream II), H.264, and MJPEG
Audio compression	G.711, G.726
Resolution and frame rate (H.265/H.264)	2560x1920 @ 30 fps and 1920x1080 @ 60 fps
Resolution and frame rate (MJPEG)	2560x1920 @ 12 fps and 1920x1080 @ 30 fps
Maximum streams*	4 simultaneous streams on the camera
Video streaming	Single-stream H.265, H.264, or MJPEG up to 2560 x 1920 @ 30 fps or 1080p (1920 x 1080) @ 60 fps
Protocols	IPv4, IPv6, TCP/IP, HTTP, HTTPS, UPnP, RTSP/RTP/RTCP, IGMP, SMTP, FTP, DHCP, NTP, PPPoE, CoS, QoS, SNMP, 802.1X, UDP, ICMP, ARP, SSL, TLS
Quality of Service (QoS)	Differentiated-Services-Code-Point (DSCP) marking and Class-of-Service (CoS) marking
Power	12 VDC PoE (802.3af Class 0)
Power consumption (max)	Max 12.8W

\* Not supported when the camera is used with Cisco Video Surveillance Manager.

## Connectors

Table 2 describes the connectivity and connectors of the Cisco Video Surveillance 8020 IP Camera.

Table 2. Cisco Video Surveillance 8020 IP Camera connectors

Item	Specification
Network connectivity	10 BASE-T/100 BASE-TX Ethernet with RJ-45 connector (CAT 5e and CAT6 highly recommended)
Alarm input	One logic level programmable
Alarm output	One logic level programmable
Storage	MicroSD/SDHC/SDXC
Audio	<ul style="list-style-type: none"> <li>Internal microphone input and audio output</li> <li>Two-way (full-duplex)</li> </ul>
Power input	Terminal block

## Software

Table 3 describes the primary features of the Cisco Video Surveillance 8020 IP Camera software.

Table 3. Cisco Video Surveillance 8020 IP Camera primary software features

Item	Specification
Activity detection	User-definable alerts with configurable sensitivities and thresholds, email alert, and HTTP notifications
Selectable bit rate	Support for constant bit rate or variable bit rate
IP filtering	Users can enter a list of allowed or blocked IP addresses for viewing video and configuring camera settings
Configuration	<ul style="list-style-type: none"> <li>Browser-based using Internet Explorer 8.0 or later</li> <li>Two levels of user access with password protection</li> </ul>
Security	Support for IEEE 802.1X authentication

## Specifications

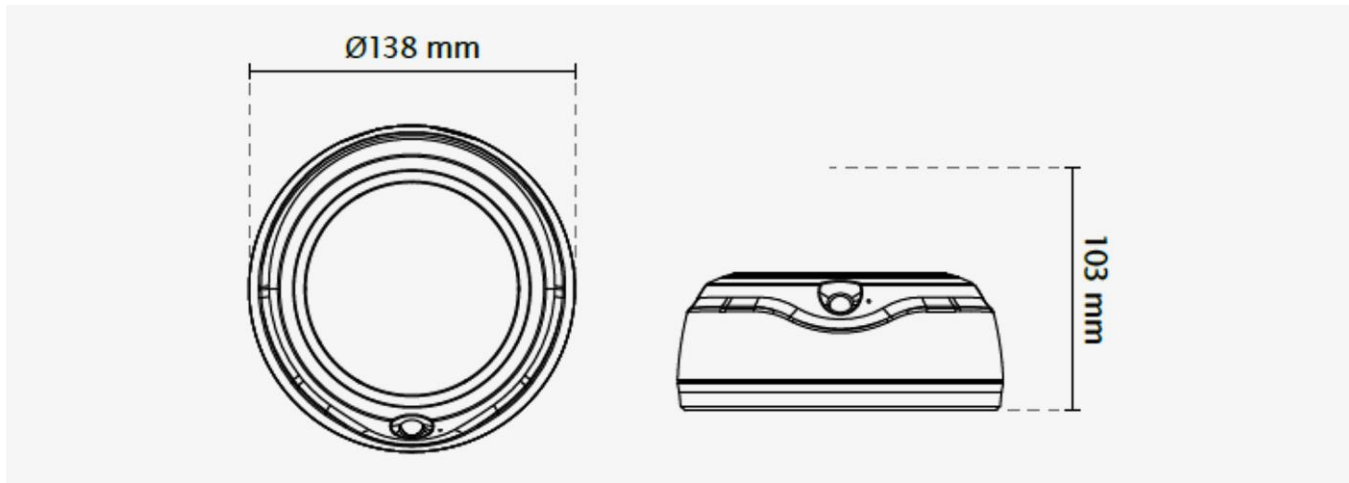
Table 4 provides mechanical specifications of the Cisco Video Surveillance 8020 IP Camera.

Table 4. Cisco Video Surveillance 8020 IP Camera mechanical specifications

Item	Specification
Housing	Aluminum
LEDs	Power and activity (red and green LED)
Dimensions (D x L)	5.4 x 4.1 in. (138 x 103 mm)
Weight	530 g
Certifications	<p><b>Safety:</b></p> <ul style="list-style-type: none"> <li>EN/IEC 60950-1</li> <li>UL 60950-1</li> <li>CAN/CSA C22.2 No. 60950-1-07</li> </ul> <p><b>EMC requirements:</b></p> <ul style="list-style-type: none"> <li>47 CFR FCC Part 15, Subpart B, Class B</li> <li>ICES-003:2016 Issue 6, Class B</li> <li>ANSI C63.4:2014</li> <li>V-3/2016.11, Class B</li> <li>V-4/2012.04</li> <li>EN55032, Class B</li> <li>AS/NZS CISPR 32 Class B</li> <li>CISPR 32</li> <li>EN 55024</li> <li>EN 50130-4</li> </ul>
Operating temperature and humidity	-14 to 122°F (-10 to 50°C), 90% RH

Figure 2 shows the dimensions of the Cisco Video Surveillance 8020 IP Camera.

Figure 2. Cisco Video Surveillance 8020 IP Camera dimensions



## Package contents

Table 5 describes the items that ship with the Cisco Video Surveillance 8020 IP Camera.

Table 5. Package contents

Item
Cisco Video Surveillance 8020 IP Camera
Installation template
Documentation reference and regulatory documentation card

## Availability

The Cisco Video Surveillance 8020 IP Camera is available through Cisco partners.

## Ordering information

Table 6 lists the part numbers for the Cisco Video Surveillance 8020 IP Camera.

Table 6. Ordering information

Part Number	Description
CIVS-IPC-8020	Cisco Video Surveillance IP Camera, HD Bullet Camera

## Using the camera with Cisco Video Surveillance Manager

Features that are marked with an asterisk (\*) are not supported when using the camera with Cisco Video Surveillance Manager. Refer to the Cisco Video Surveillance Manager 7.X release notes.

## Services and support

Cisco and our certified partners can help you accelerate success and improve the return on your investment in a Cisco Physical Security solution. The Cisco lifecycle approach to services defines the requisite activities at each phase of the solution lifecycle. This approach allows you to:

- Reduce deployment costs by identifying the features that will best meet your business requirements
- Accelerate migration by assessing the readiness of your network to support the system and by developing a sound design
- Support smooth implementation through effective planning and expert installation, configuration, and integration
- Increase operational efficiency and extend the value of your investment with award-winning technical support

For more information about Cisco services, visit <https://www.cisco.com/go/services>.

## Cisco Capital

### Financing to help you achieve your objectives

Cisco Capital can help you acquire the technology you need to achieve your objectives and stay competitive. We can help you reduce CapEx. Accelerate your growth. Optimize your investment dollars and ROI. Cisco Capital financing gives you flexibility in acquiring hardware, software, services, and complementary third-party equipment. And there's just one predictable payment. Cisco Capital is available in more than 100 countries. [Learn more](#).

## For more information

For more information about the Cisco Video Surveillance 8020 IP Camera, visit <https://www.cisco.com/go/physec> or contact your local Cisco account representative.

Americas Headquarters  
Cisco Systems, Inc.  
San Jose, CA

Asia Pacific Headquarters  
Cisco Systems (USA) Pte. Ltd.  
Singapore

Europe Headquarters  
Cisco Systems International BV Amsterdam,  
The Netherlands

Cisco has more than 200 offices worldwide. Addresses, phone numbers, and fax numbers are listed on the Cisco Website at [www.cisco.com/go/offices](http://www.cisco.com/go/offices).

Cisco and the Cisco logo are trademarks or registered trademarks of Cisco and/or its affiliates in the U.S. and other countries. To view a list of Cisco trademarks, go to this URL: [www.cisco.com/go/trademarks](http://www.cisco.com/go/trademarks). Third-party trademarks mentioned are the property of their respective owners. The use of the word partner does not imply a partnership relationship between Cisco and any other company. (1110R)