

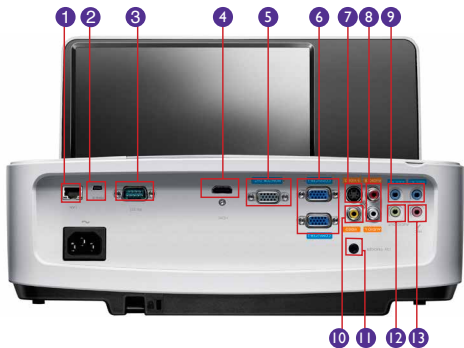


Features

- Native WXGA (1280 x 800) Resolution
- 3,000 ANSI Lumens, 13,000:1 High Contrast Ratio
- SmartEco™ Power Saving Technology
- Full 3D Ready
- Up to 7,000 Hours Lamp Life
- Wall Mount Bundle



Input and Output Terminals



- | | |
|-----------------------------------|------------------------------|
| 1 LAN | 7 S-Video In (Mini DIN 4pin) |
| 2 USB Type B | 8 Audio (L/R) |
| 3 RS232 (DB-9pin) | 9 Audio In (x 2) |
| 4 HDMI | 10 Composite Video in (RCA) |
| 5 Monitor Out (D-sub 15pin) | 11 12V Trigger |
| 6 Computer in 1 & 2 (D-sub 15pin) | 12 Audio Out (Mini Jack) |
| | 13 Mic |

Specifications

Projection System	DLP®
Native Resolution	WXGA (1280 x 800)
Brightness	3,000AL
Contrast Ratio	13,000:1
Display Color	1.07 Billion Colors
Lens	F=2.53,f=5.38
Aspect Ratio	Native 16:10 (5 aspect ratio selectable)
Throw Ratio	0.37
Image Size (Diagonal)	64"~120"
Zoom Ratio	Fix
Lamp Type	240W
Lamp (Normal/Economic Mode)*	3500/5000/7000 hours
Keystone Adjustment	1D, Vertical +/- 15 degrees
Projection Offset	144% ±5%
Resolution Support	VGA(640 x 480) to UXGA(1600 x 1200)
Horizontal Frequency	15~102KHz
Vertical Scan Rate	23~120Hz
Compatibility	HDTV Compatibility: 480i, 480p, 576i, 576p, 720p, 1080i, 1080p Video Compatibility: NTSC, PAL, SECAM,
Interface	Computer in (D-sub 15pin) x 2(Shared with component) Monitor out (D-sub 15pin) x 1 Composite Video in (RCA) x 1 S-Video in (Mini DIN 4pin) x 1 HDMI x 1 Audio in (Mini Jack) x 2 Audio out (Mini Jack) x 1 Audio L/R x 1 Speaker 10W x 2 USB (Type mini B) x 1 (FW download) RJ45 x 1 (LAN control) RS232 (DB-9pin) x 1 IR Receiver x 2
Dimensions (WxHxD)	339 x 236.9 x 322.8 mm
Weight	6.2 (w/o wall mount) kg
Power Supply	AC100 to 240 V, 50 to 60 Hz
Power Consumption	typical 330W, stanby power <0.5W
Audible Noise	36/30 dBA (Normal/Economic mode)
Languages	Arabic/Bulgarian/ Croatian/ Czech/ Danish/ Dutch/ English/ Finnish/ French/ German/ Greek/ Hindi/ Hungarian/ Italian/ Indonesian/ Japanese/ Korean/ Norwegian/ Polish/ Portuguese/ Romanian/ Russian/ Simplified Chinese/Spanish/ Swedish/ Turkish/ Thai/ Traditional Chinese (28 Languages)
Picture Mode	Dynamic/Presentation/sRGB/Cinema/(3D)/User 1/User 2
Accessories (Standard)	Remote Control w/ Battery, Power Cord, User Manual CD Quick Start Guide, Warranty Card, VGA (D-sub 15pin) Cable, Dust filter (C SKU), Wall mount kit (installation guide)
Accessories (Optional)	Spare Lamp Kit P/N: 5J.J8M05.011 3D Glasses (DGD24) P/N: 5J.J7L25.001
UPC / Part #	8400460-2226-6 / 9H.JCC77.13A
Limited Warranty	3 Years Parts/Labor or 2,000 hours of lamp life.

*Lamp life results will vary depending on environmental conditions and usage. Actual product's features and specifications are subject to change without notice.



MW843UST 050714_BQca



BenQ Canada Corp.
Tel: (416) 363-2367 www.BenQ.ca

BenQ is a registered trademark of BenQ Corp. DLP is a registered trademark of Texas Instruments. All rights reserved. Product names, logos, brands, and other trademarks featured or referred to in this materials are the property of their respective trademark holders. Specifications subject to change without notice.

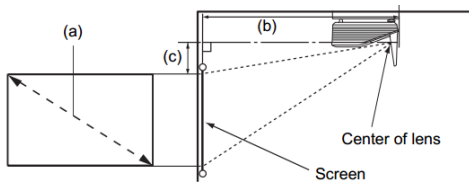


Because it matters

MW843UST Digital Projector

Distance Chart

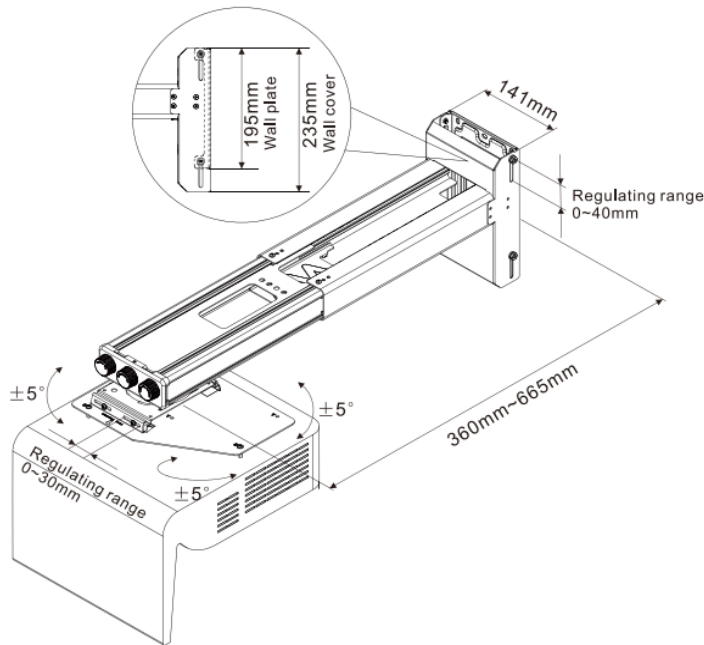
The screen aspect ratio is 16:10 and the projected picture is in a 16:10 aspect ratio



(a) Screen size				(b) Distance from screen (mm)	(c) Vertical offset (mm)
Diagonal		Height	Width		
inch	mm	mm	mm		
60	1524	808	1292	483	178
70	1778	942	1508	563	207
80	2032	1077	1723	644	237
90	2286	1212	1939	724	267
100	2540	1346	2154	805	296
110	2794	1481	2369	885	326
120	3048	1615	2585	966	355

Wall Mount / Ceiling Mount Chart

Units: mm



Dimensions

Units: mm



Because it matters