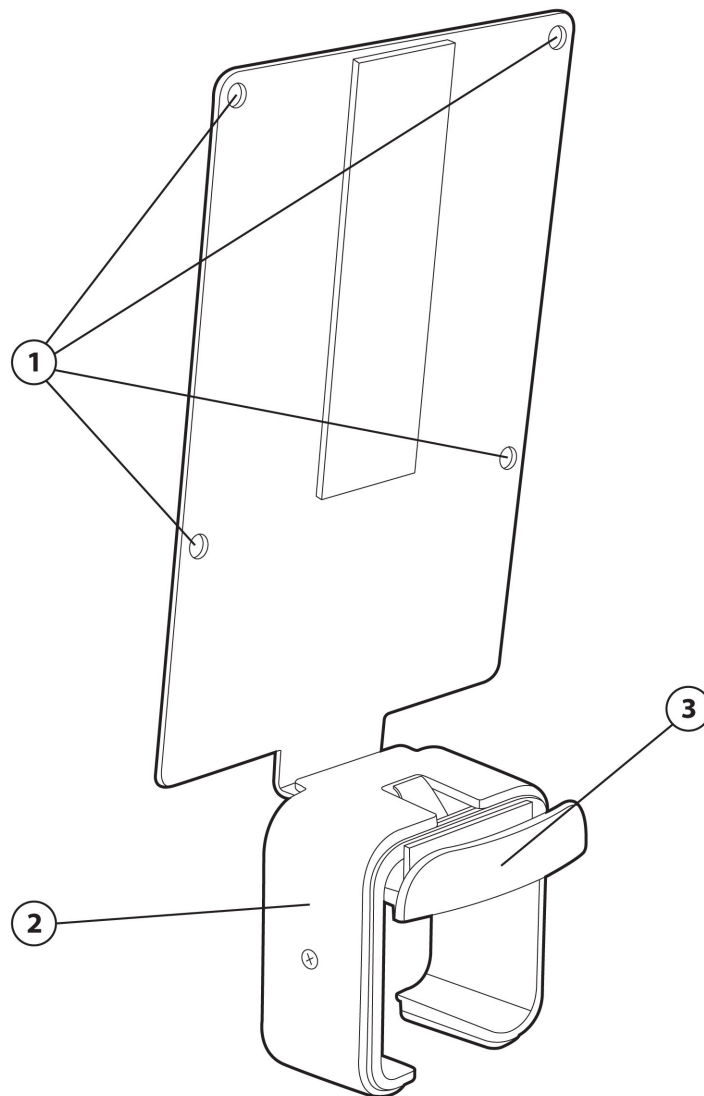


Overview



1. VESA mount holes for mounting the Thin Client or USDT PC

3. Release button for removing the mount from the stand

2. Mount insert snaps into cable tunnel in column of select Z displays

Model

Number: E5J35AA

Overview

Introduction

Attach your HP Thin Client or USDT PC to the back of select HP Z Displays and maintain optimal ergonomic adjustability with the HP Thin Client Mount Kit.[1]

Key features and benefits

- Enjoy a unique solution for mounting HP Thin Clients and USDT PCs to the back of 24-, 27-, and 30-inch diagonal HP Z Displays.[1] Now there are no screen size limits to creating a compact "all-in-one" workspace with a thin client or USDT.
- Retain all the benefits of the HP Z Display's 4-way adjustable comfort since the Kit attaches to the display stand.[1]
- Quickly assemble by attaching the HP Thin Client or USDT PC to the Kit's VESA plate, and then slide the bracket onto the display stand. You can also keep your display cabling intact—no disassembly required.[1]

Compatibility

The HP Thin Client Mount Kit is designed to exclusively accommodate HP Ultra-slim Desktop PC models or HP Thin Clients, compatible models shown below (each sold separately) when combined with the HP monitors shown below (each sold separately).

HP Performance Monitor Compatibility

Z24i
Z27i
Z30i

Thin Client Compatibility

	M4 x 6mm	M4 x 10mm
HP t310*	OK	
HP t410 Smart Zero	OK	
HP t510 Flexible TC	-	OK
HP t610 Flexible TC	OK	-
HP t610 Plus Flexible TC	OK	-
HP t5740	-	OK
HP Compaq Elite 8200 USDT	OK	-
HP Compaq Elite 8300 USDT	OK	-
HP EliteDesk 800 USDT	-	OK

*Requires the kit: "VESA Mount Jacket for HP t310 ZeroClient", part number D4D96AA.

Overview

Mechanical	Dimensions (H x W x D)	Unpackaged	23.53 x 11.1 x 57.78 cm (9.26 x 4.37 x 2.27 in)
		Packaged	24.0 x 12.18 x 70.75 cm (9.45 x 4.79 x 2.78 in)
	Weight	Unpackaged	0.445 kg (0.98 lbs)
		Packaged	0.580 kg (1.28 lbs)
Other	Option kit contents	HP Thin Client Mount, mounting screws, installation guide, warranty card.	
Limited Warranty	The HP Thin Client Mount Kit carries a one-year limited warranty. Technical support is available seven days a week, 24 hours a day, by phone, as well as online support forums. Certain restrictions and exclusions apply.		

1. Displays, thin clients and USDT PCs are sold separately.

©2013 Hewlett-Packard Development Company, L.P.

The information contained herein is subject to change without notice. The only warranties for HP products and services are set forth in the express warranty statements accompanying such products and services. Nothing herein should be construed as constituting an additional warranty. HP shall not be liable for technical or editorial errors or omissions contained herein.