

Cisco Video Surveillance 8630 IP Camera



The Cisco[®] Video Surveillance 8630 IP Camera is a high-definition, full-functioning video endpoint with industry-leading image quality and processing power in an outdoor enclosure. The camera is capable of 1920 x 1080 resolution while optimizing network utilization with H.265, H.264, or Motion JPEG (MJPEG) compression. Contact closures allow integration with access control systems. With its open, standards-based design, the camera provides an ideal platform for integration and operation as an independent device or as part of a Cisco Video Surveillance network.

The Cisco Video Surveillance 8630 IP Camera offer a variety of benefits, including:

- **True High-Definition (HD) video:** The camera streams crisp and clear video at resolutions up to 1920 x 1080 while maintaining low network bandwidth.
- **P-Iris lens:** The camera supports a P-Iris lens, which allows greater control of the lens aperture and produces a sharper image over typical DC iris lenses.
- **True Wide Dynamic Range (WDR):** 140 dB dynamic range for scenes that contain both light and dark areas.
- **Streaming:** The camera can stream H.265, H.264, and MJPEG video simultaneously. Each video stream can be configured with individual resolution, quality, and frame-rate settings.
- **Day and night operation:** The camera provides true day-night functionality and includes an infrared filter, which automatically switches to night mode in low-light scenes and can be set to manual, automatic, or scheduled control.
- **Integrated infrared illuminator:** The infrared illuminator with smart IR can light an area up to 50 meters away.
- **Privacy regions:** The camera supports up to five user-defined privacy regions. Any video in a privacy region is masked in the video stream.

- **Local storage:** Video data can automatically be recorded to a MicroSD card when the camera loses network connectivity.
- **Bidirectional audio:** The camera supports full-duplex audio and options for half-duplex operation.
- **Open API:** Support for Open Network Video Interface Forum (ONVIF) Profile S and Profile G allows for standards-based interoperability and communications with other ONVIF appliances.
- **Flexible power options:** The camera supports Power over Ethernet (PoE) 802.3at (Class 4), 12VDC, and 24VAC.

Features

Table 1 describes the features of the Cisco Video Surveillance 8630 IP Camera.

Table 1. Cisco Video Surveillance 8630 IP Camera features

Item	Details
Imaging device	1/2" progressive CMOS
Image settings	Time stamp, text overlay, flip and mirror; configurable brightness, contrast, saturation, sharpness, white balance, exposure control, gain, backlight compensation, privacy masks, scheduled profile settings, video rotation, 3-dimensional noise reduction, digital image stabilization, highlight compensation
Wide dynamic range	140 dB
Minimum illumination	0.04 Lux at F1.3 (color), 50IRE 0.002 Lux at F1.3 (color), 30IRE 0 Lux with IR LED on
Lens	Vari-focal, remote focus
Field of view	46° to 120° (horizontal) 26° to 60° (vertical) 53° to 152° (diagonal)
Camera angle adjustment	Pan: 353° Tilt: 65° Rotate: 180°
Shutter speed	1/5 sec. to 1/32,000 sec.
Video compression	H.265, H.264, and MJPEG
Audio compression	G.711 A-Law, G.711-U-law, G.726
Maximum Resolution and frame rate	1920 x 1080 at 60 fps
Protocols	IPv4, IPv6, Transmission Control Protocol/Internet Protocol (TCP/IP), Hypertext Transfer Protocol (HTTP), Secure HTTP (HTTPS), Universal Plug and Play (UPnP), Real-Time Streaming Protocol (RTSP), Real-Time Transport Protocol (RTP), Real-Time Transport Control Protocol (RTCP), Internet Group Management Protocol (IGMP), Common Internet File System (CIFS), Server Message Block (SMB), Simple Mail Transfer Protocol (SMTP), File Transfer Protocol (FTP), Dynamic Host Control Protocol (DHCP), Network Time Protocol (NTP), Domain Name System (DNS), Dynamic DNS (DDNS), Point-to-Point Protocol over Ethernet (PPPoE), Simple Network Management Protocol (SNMP), 802.1X, User Datagram Protocol, Internet Control Message Protocol (ICMP), Address Resolution Protocol (ARP), Secure Sockets Layer/Transport Layer Security (SSL/TLS), National Transportation Communications for Intelligent Transportation System Protocol (NTCIP)
Quality of Service (QoS)	Differentiated-Services-Code-Point (DSCP) marking and Class-of-Service (CoS) marking
Power	12VDC or 24VAC through optional external power supply (PoE) 802.3at (Class 4)
Power consumption (maximum)	DC: 19.5W AC: 21.8W PoE: 24.8W

Connectors

Table 2 describes the connectivity and connectors of the Cisco Video Surveillance 8630 IP Camera.

Table 2. Cisco Video Surveillance 8630 IP Camera connectors

Item	Details
Network connectivity	10 Base-T/100 Base-TX with RJ-45 connector
Alarm input	Two logic levels programmable
Alarm output*	Two logic levels programmable
Storage	Micro SD/SDHC/SDXC card slot
Audio	Two-way (full- and half-duplex), one-way, or audio off
Power input	Terminal block

* Not supported when the camera is used with Cisco Video Surveillance Manager.

Specifications

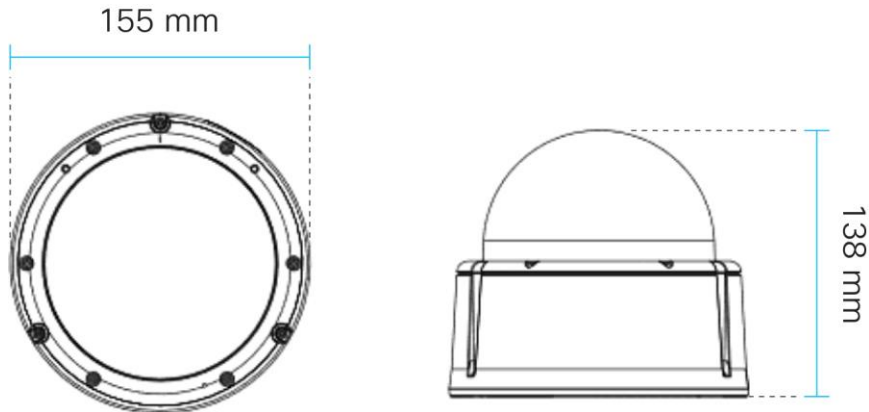
Table 3 provides specifications of the Cisco Video Surveillance 8630 IP Camera.

Table 3. Cisco Video Surveillance 8630 IP Camera specifications

Item	Specification
LEDs	System power and status indicator
Dimensions (H x W)	155mm x 138mm
Weight	1300g
Certifications	Safety: UL/CSA 60950-1 IEC/EN 60950-1 CAN/CSA-C22.2 No. 60950-1 IS 13252 EMC-Requirements: 47 CFR FCC Part 15 Class A AS/NZS CISPR 32 CISPR 32 EN 55032 Class A EN 55024 EN 61000-3-2/3-3 EN 50130-4 ICES-003 Class A VCCI
Cold start temperature	–40°C to 50°C
Wide temperature range (operating temperature)	–45°C to 50°C
Humidity	90% RH

Figure 1 shows the dimensions of the Cisco Video Surveillance 8630 IP Camera.

Figure 1. Cisco Video Surveillance 8630 IP Camera dimensions



Package contents

Items that ship with the Cisco Video Surveillance 8630 IP Camera include:

- Camera
- Cisco pointer card and RoHS document
- Alignment sticker for installation
- Extra set of labels
- Desiccant bag
- Outlet bushing adapter
- Screwdriver
- Cable cover
- Cable gland for waterproofing
- Double-sided tape
- Screw pack
- Tamperproof screws (2)

Ordering information

Table 4 lists the part number for the Cisco Video Surveillance 8630 IP Camera.

Table 4. Ordering information

Part number	Description
CVIS-IPC-8630=	Cisco Video Surveillance 8630 IP Camera

Services and support

Cisco and our certified partners can help you accelerate success and improve your ROI in a Cisco Physical Security solution. The Cisco lifecycle approach to services defines the requisite activities at each phase of the solution lifecycle:

- Reduce deployment costs by identifying the features that best meet your business requirements.
- Accelerate migration by assessing the readiness of your network to support the system and by developing a sound design.
- Support smooth implementation through effective planning and expert installation, configuration, and integration.
- Increase operational efficiency and extend the value of your investment with award-winning technical support.

For more information about Cisco services, visit <https://www.cisco.com/go/services>.

Cisco Capital

Financing to help you achieve your objectives

Cisco Capital[®] can help you acquire the technology you need to achieve your objectives and stay competitive. We can help you reduce CapEx. Accelerate your growth. Optimize your investment dollars and ROI. Cisco Capital financing gives you flexibility in acquiring hardware, software, services, and complementary third-party equipment. And there's just one predictable payment. Cisco Capital is available in more than 100 countries. [Learn more.](#)

For more information

For more information about the Cisco Video Surveillance 8630 IP Camera, visit <https://www.cisco.com/go/videosurveillance> or contact your local account representative.



Americas Headquarters
Cisco Systems, Inc.
San Jose, CA

Asia Pacific Headquarters
Cisco Systems (USA) Pte. Ltd.
Singapore

Europe Headquarters
Cisco Systems International BV Amsterdam,
The Netherlands

Cisco has more than 200 offices worldwide. Addresses, phone numbers, and fax numbers are listed on the Cisco Website at <https://www.cisco.com/go/offices>.

Cisco and the Cisco logo are trademarks or registered trademarks of Cisco and/or its affiliates in the U.S. and other countries. To view a list of Cisco trademarks, go to this URL: <https://www.cisco.com/go/trademarks>. Third-party trademarks mentioned are the property of their respective owners. The use of the word partner does not imply a partnership relationship between Cisco and any other company. (1110R)